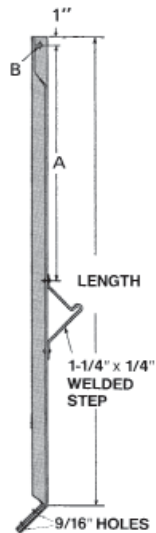




Braces



Alley Arm

Alley arms, crossarms mounted to one side of the pole, require rigid bracing to insure proper alignment of power distribution and transmission lines.

Features

- Mount at 45° angle
- Include welded lineman step
- Mount to alley arm using a machine bolt and attach to pole using (2) 1/2" lag screws

Material

Steel hot dip galvanized

Catalog Number	A	B	Angle Size (in)	Length (ft)	Weight /100 (lbs)
J1522	30	9/16	1 3/4 x 1 3/4 x 3/16	5	1300
J1525	30	11/16	1 3/4 x 1 3/4 x 3/16	7	1750
J1526	50	11/16	2 x 2 x 1/4	10	3600

Crossarm, Flat Steel

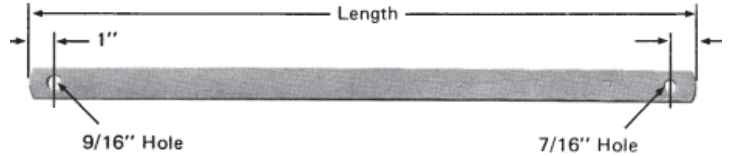
Flat crossarm braces, used in pairs, are an inexpensive means of aligning and supporting crossarms

Features

- Mounting hole diameters are 7/16" for 3/8" crossarm mounting bolts and 9/16" for pole mounting with 1/2" lag screw or through bolt
- Hole centers 1" from brace ends - which are rounded for safety

Material

Steel hot dip galvanized



1 1/4" x 1/4" size			
Catalog Number	Length (in)	Mounting Hole Center (in)	Weight /100 (lbs)
J7126	26	24	230
J7128	28	26	250
J7130	30	28	270
J7132	32	30	280
J7136	36	34	350

Angle

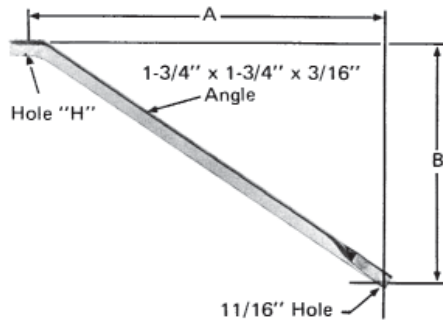
Angle braces are used as tension members on the side of the arm opposite the odd conductor to compensate for the unbalanced load.

Features

- Flat pole mounting end allows for either a right-hand or left-hand member

Material

Steel hot dip galvanized



Catalog Number	A	B	H	Weight /100 (lbs)
J1442	42	27	11/16	950