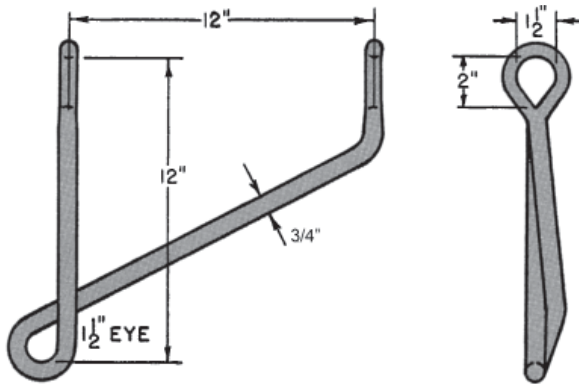




Brackets



Angle

Angle brackets provide extra clearance for supporting insulator strings and other suspension hardware at angle structures.

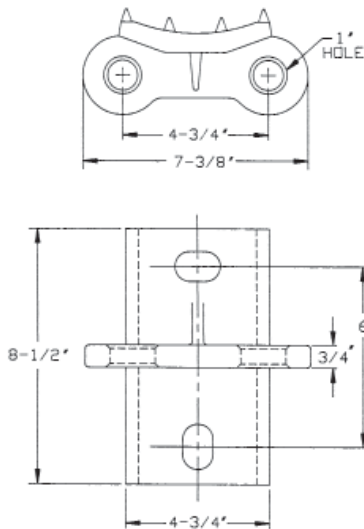
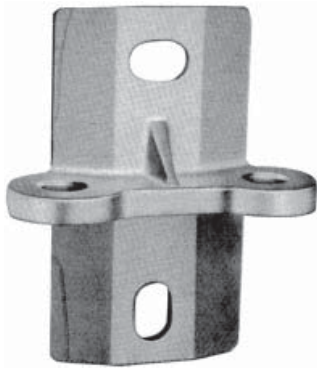
Features

- Closed forged oval eyes
- Fasten to crossarm or pole with drop forged clevis bolts

Material

Steel hot dip galvanized

Catalog Number	Stock Diameter (in)	Weight /100 (lbs)
J7936	3/4	520



Angle Double Deadend

Angle double deadend brackets allow angle construction applications by deadending to the two termination points of the bracket.

Features

- Pole mounting slots are 15/16 x 1/2" to accommodate 7/8" diameter bolts

Material

Ductile iron hot dip galvanized

Catalog Number	45° Ultimate Strength (lbs)	Weight /100 (lbs)
PX44	40,000	770
PX44LT	40,000	770

Notes:

Suffix "LT" denotes less teeth for use on steel or concrete poles