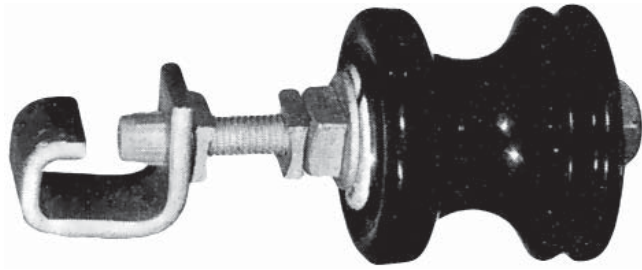




Brackets



Transformer Trainer

Transformer Trainer brackets are clamped to the bottom edge of a transformer tank to provide an insulated support for secondary leads.

Features

- Polythylene cap at bolt end protects outside of transformer from getting scratched
- Each bracket ships complete with insulator

Material

Hardware: Steel hot dip galvanized
 Insulator: Porcelain

Catalog Number	Machine Bolt Size (in)	Insulator Catalog Number	Weight /100 (lbs)
J6765	1/2 x 6	J101	220
J6765A	1/2 x 4 1/2	J100	130

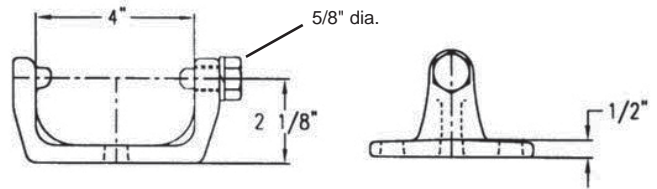
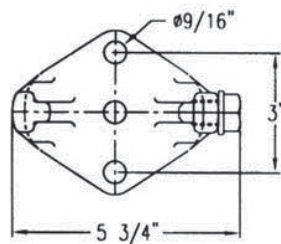


Trunnion

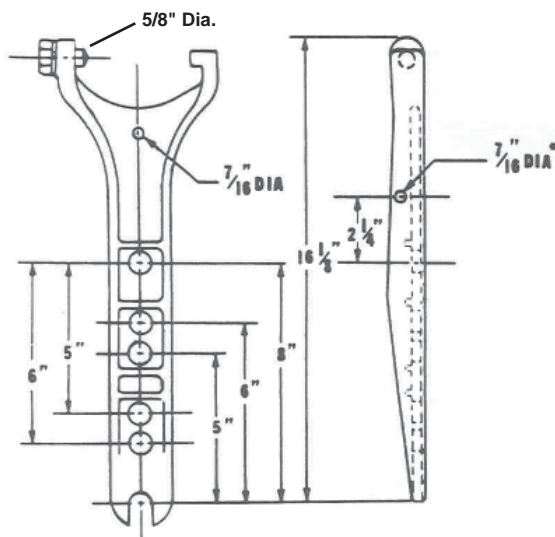
Trunnion brackets are generally used on top of transmission towers and pole tops for supporting clamps (or equivalents) holding overhead ground wires.

Material

Bracket: Ductile iron hot dip galvanized
 Trunnion Bolt: Steel hot dip galvanized



Catalog Number	Ultimate Longitudinal Strength (lbs)	Weight /100 (lbs)
TMB-1	12500	240



Trunnion

Material

Ductile iron hot dip galvanized

Catalog Number	Mounting Bolts	Mounting Bolt Spacing	Weight /100 (lbs)
BTA-55	5/8"	5, 6, or 8"	500

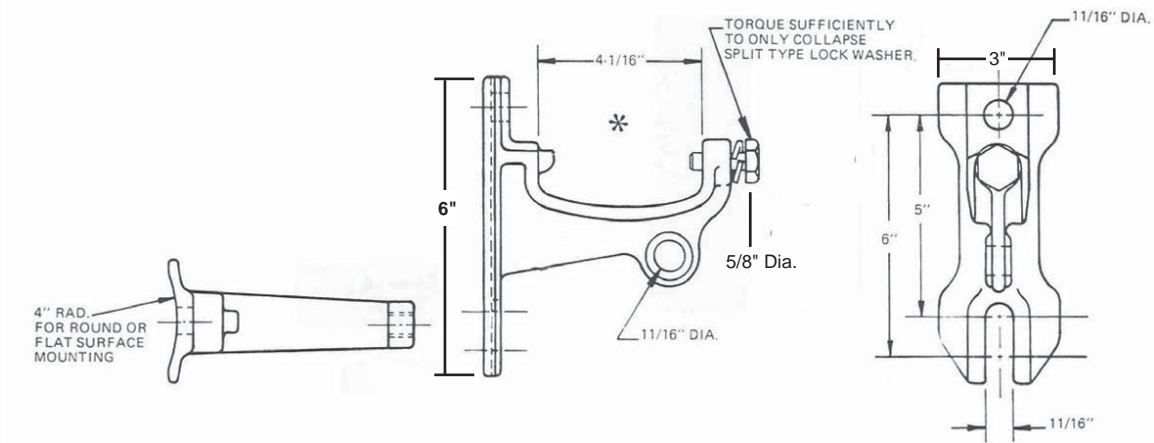


Brackets

Trunnion

Material

Ductile iron hot dip galvanized



Catalog Number	Weight /100 (lbs)
TSWB-55-6	400

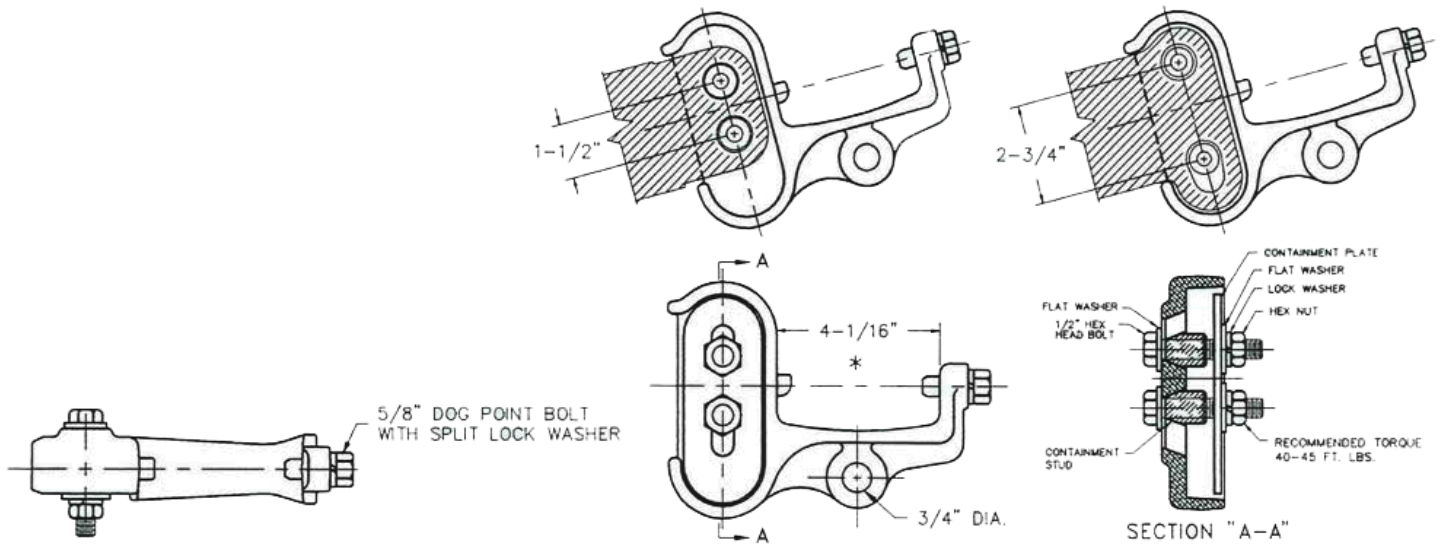
Trunnion

Features

- Containment studs will adjust to fit insulators being used
- Trunnion adapter fits standard 2 1/2" diameter polymer post insulators

Material

Body: Aluminum alloy
 Stud: Aluminum alloy
 Plate: Aluminum alloy
 Hardware: Steel hot dip galvanized



Catalog Number	Minimum Ultimate Strength (lbs)	Weight /100 (lbs)
PITA-250	2800	263