

Link Style Pole Bands

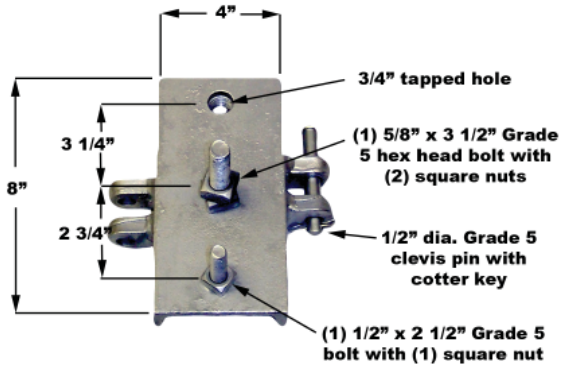
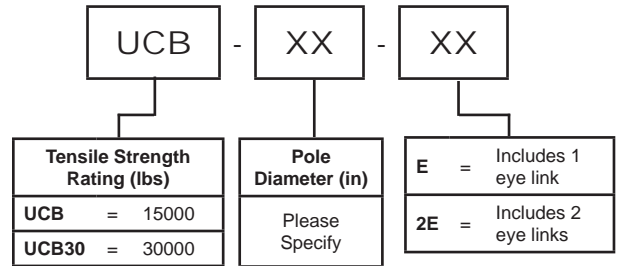
Link style pole bands provide an ideal product for guying and deadending to steel, wood or concrete poles (non-square) without the need for bolt holes in the pole. The bands will accommodate pole diameters from a minimum of 8" through a virtually unlimited maximum pole diameter.

Features

- Available in 15,000 lbs and 30,000 lbs Tensile Strength Rating
- Supplied with up to 4 links with connecting eye used for terminating points to deadend and guy
- One "CLP" clip included - allows a 4" take up adjustment of band assembly. Additional CLP can be ordered for additional adjustment
- Full and half links are available to order for additional adjustments

Material

Links: Ductile iron hot dip galvanized
 Hardware: Steel hot dip galvanized
 Cotter Key: Stainless steel



Mounting Bracket

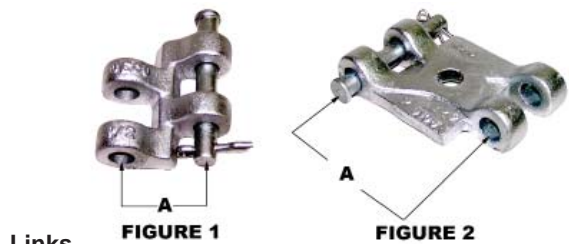
This mounting bracket is used with the UCB 15,000 lb pole bands for mounting messenger suspension clamps in telecommunication construction applications and crossarm or electrical equipment for power applications.

Catalog Number	Weight (lbs)
SF-TEL-8	7.0



PEL Eye Links

Catalog Number	Tensile Strength Ratings (lbs)	Eye Hole Dia (in)	Weight (lbs)
PEL-15	15000	15/16	2.3
PEL-30	30000	15/16	4.0



Links

Catalog Number	Tensile Strength Ratings (lbs)	A	Fig	Weight (lbs)
P-1/2	15000	1 11/16	1	1.0
P1/2-30	30000	2 3/16	1	2.0
P	15000	3 7/16	2	1.5
P-30	30000	3 7/16	2	3.0

CLP Style Clip 4" Maximum Adjustment

Catalog Number	Tensile Strength Rating (lbs)	Weight (lbs)
CLP-2	15000	5.0
CLP30-2	30000	10.0

