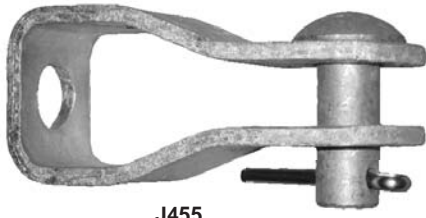
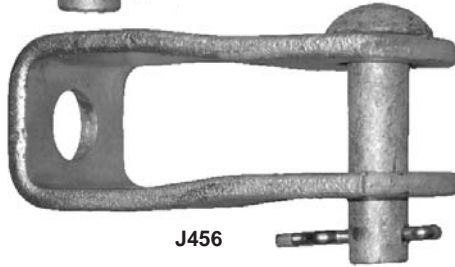




Clevises



J455



J456

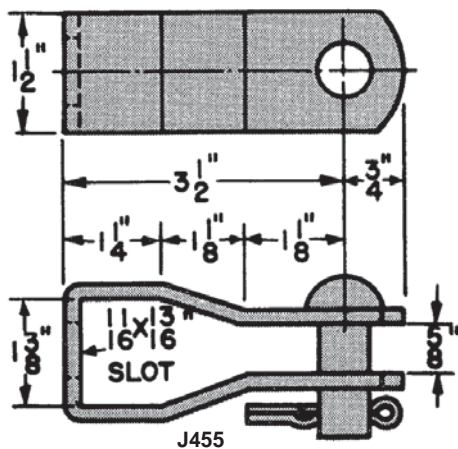
Deadend Eyelet

Features

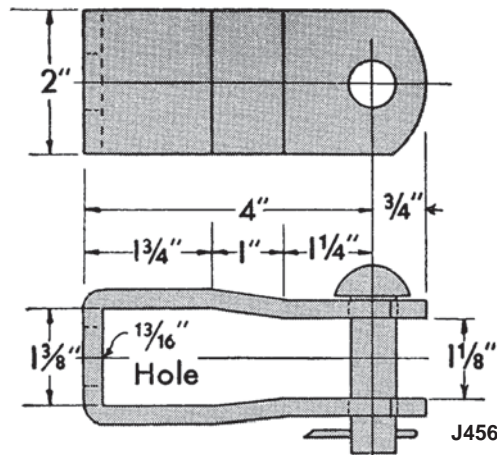
- Eyelet clevises are used under a bolt head or nut for deadending suspension insulators
- Furnished complete with a 5/8" diameter buttonhead bolt and self-locking cotter pin

Material

Steel hot dip galvanized

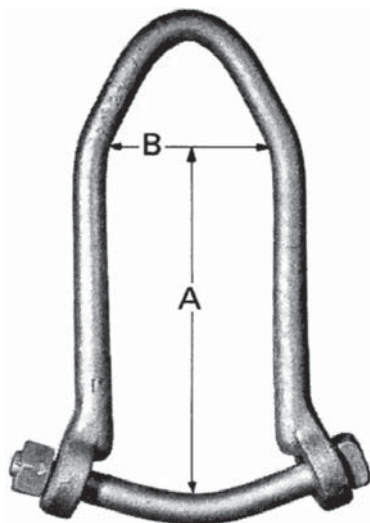


J455



J456

Catalog Number	Steel Size	Mounting Bolt Dia. (in)	Ultimate Strength (lbs)	Weight /100 (lbs)
J455	1 1/2 x 3/16	5/8	12000	98
J456	2 x 1/4	3/4	20050	176



Heavy Strain Insulator

Features

- Forged from 1/2" diameter steel with a 1/2" curved bolt complete with Anco® locknut and are used with porcelain guy strain insulator
- Minimum ultimate strength is 12,400 pounds

Material

Steel hot dip galvanized

Catalog Number	A	B	Use with Insulator	Weight /100 (lbs)
J732	5	2 1/2	L506	146