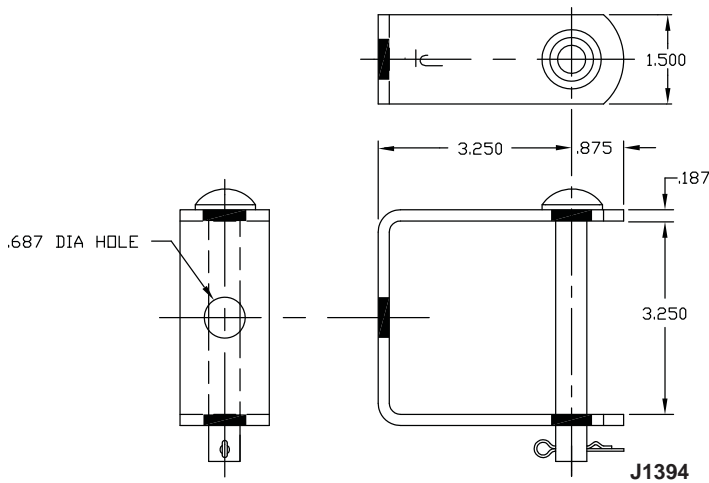




Clevises



Insulated Secondary & Deadend

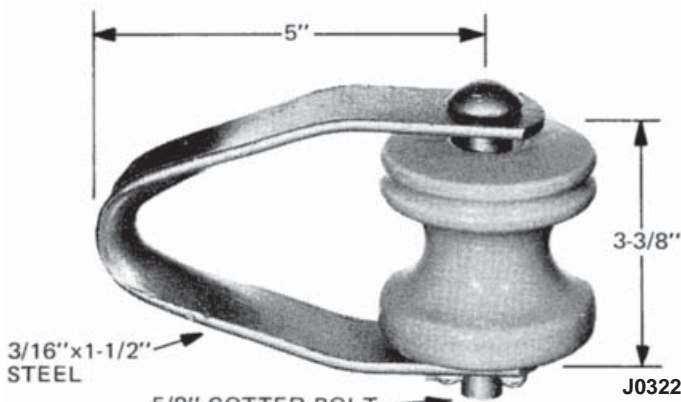
Features

- Economical secondary clevis for standard 3 inch spool insulator

Material

Steel hot dip galvanized

Catalog Number	For use w/Insulator Catalog	Weight /100 (lbs)
J1394	J151 or J101	124



Insulated, Swinging

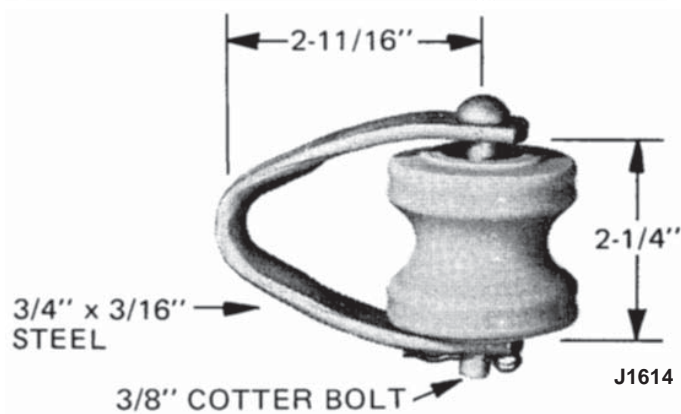
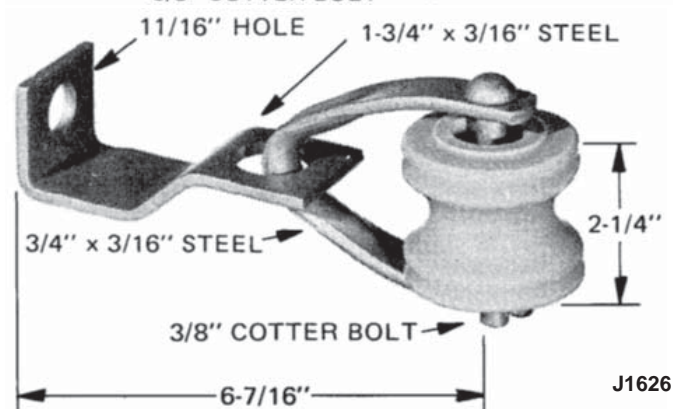
Features

- The J0322 and J1614 are used with 5/8 inch or larger eyebolts or eye nuts giving a flexible mounting for equalizing strains at corners
- The J1626 can be bolted to crossarms to provide an insulated deadend assembly

Material

Steel hot dip galvanized

Catalog Number	Weight /100 (lbs)
J0322	160
J1614	45
J1626	95





Clevises

Insulated, Swinging

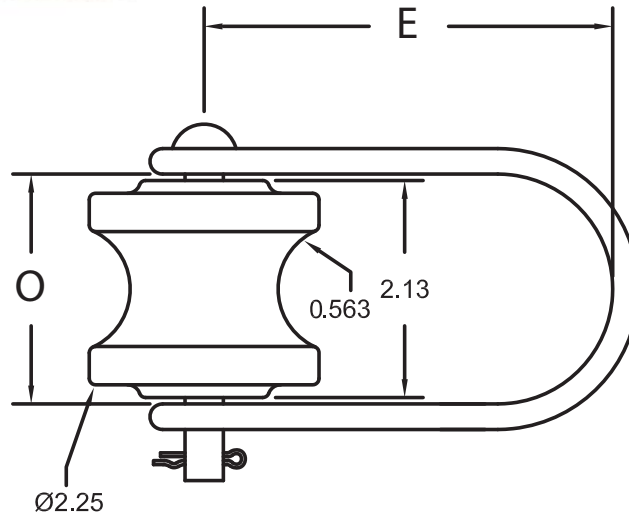


Features

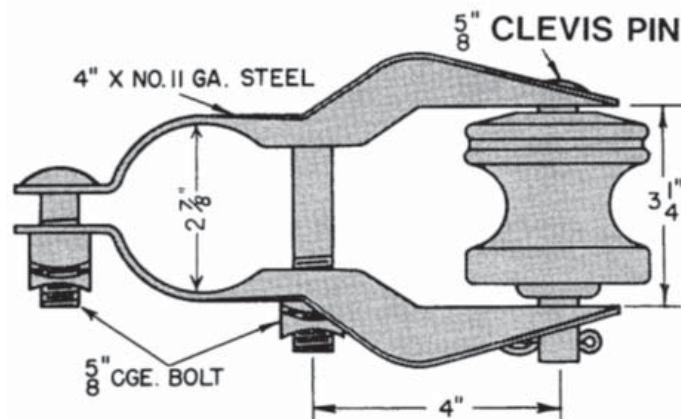
- This bail type secondary clevis, formed from 1/4 inch diameter steel is designed for attaching to eyebolts
- Porcelain spool insulator is included

Material

Steel hot dip galvanized



Catalog Number	E	O	Steel Size	Pin Dia	Insulator Required	Weight /100 (lbs)
U36060/207B	4"	2 1/4"	1/4" Dia	3/8"	Included	78



Pipe Riser

Pipe Riser clevises are used for triplex cable installations on 2-1/2" standard pipe risers.

Features

- Furnished complete with two assembly bolts and one clevis pin
- Used with either the J101, J151, or J0101 spool insulator which is ordered separately

Material

Steel hot dip galvanized

Catalog Number	Pipe Range	Weight /100 (lbs)
J0311	2 1/2"	400