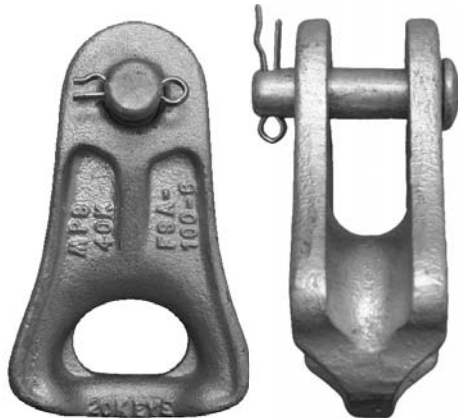




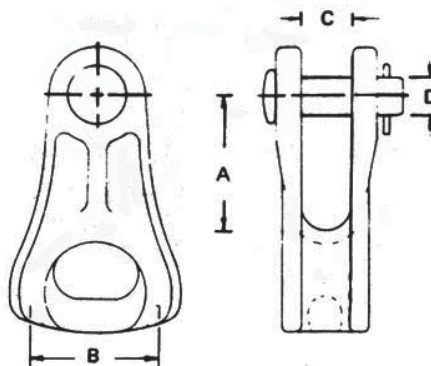
# Clevises



SA Series



FSA Series



## Thimble

Thimble clevises are used in guying and deadending applications.

- They are the interface connection fitting used in attaching guy wire, conductor, wire grips or deadend bails to eye type fittings of insulators, eye bolts and pole eye plates.

## Features

- Generous wire seat diameter to assist the cable, wire grip or bail in maintaining its shape
- Integral pulling eye area accommodates hooks used in tensioning guy wire or conductor

## Material

Body: Ductile iron hot dip galvanized or aluminum alloy  
 Hardware: Steel hot dip galvanized  
 Cotter pin: Stainless steel

Ductile Iron Thimble Clevis - FSA Series							
Catalog Number	Min Ultimate Strength	Cable Groove Dia	A	B	C	D	Weight /100 (lbs)
FSA-88A-5	30000	7/8"	1 7/8	2 1/4	7/8	5/8	145
FSA-100-6	40000	1"	2 1/2	2 1/2	1 1/16	3/4	308
FSA-125-8	60000	1 1/4"	3 3/4	2 1/2	1 1/4	1	550

Aluminum Thimble Clevis - SA Series							
Catalog Number	Min Ultimate Strength	Cable Groove Dia.	A	B	C	D	Weight /100 (lbs)
SA201	12000	7/8	1 7/8	2 1/4	7/8	5/8	78
SA209	12000	1 5/8	2 3/4	2 1/2	7/8	5/8	108
SA100-5	20000	1	2 5/8	2 1/2	1 1/16	5/8	120

Notes:  
 SA209 supplied with hex head bolt, nut and cotter

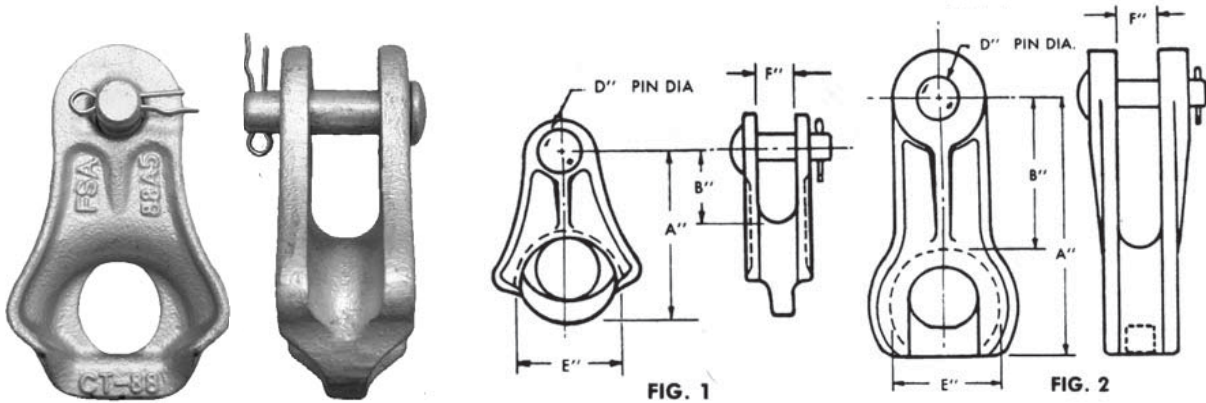


# Clevises

## Thimble

### Material

Body: Ductile iron hot dip galvanized or aluminum alloy  
 Hardware: Steel hot dip galvanized  
 Cotter pin: Stainless steel



Catalog Number	Figure	Ultimate Strength		Cable Groove Dia	A	B	D	E	F	Weight /100 (lbs)
		Thimble	Pulling Eye							
CT-88	1	20000	12500	0.88	3 9/16	1 3/4	5/8	2 1/4	7/8	175
CT-88H	2	35000	25000	0.88	4 3/8	2 1/4	3/4	2 1/4	7/8	225
CT-100H	2*	60000	40000	1.00	5 7/8	3 1/2	1	2 1/4	1 1/16	400
CT-100H10	2*	80000	40000	1.00	6	3 9/16	1 1/4	2 1/4	1 1/16	500

Notes:  
 \*CT-100 series are equipped with bolt, nut and cotter instead of clevis bolt as illustrated

## Thimble

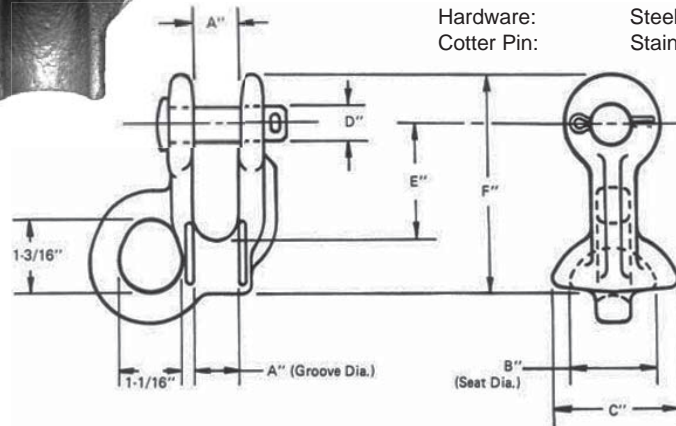
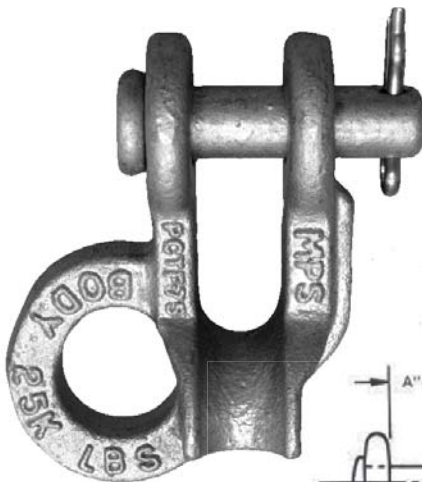
PCTF and PCTA series thimble clevises are used for normal duty guying and deadending applications of cable, wire grips, and bails where 1 1/2 inch wire seat diameters are required.

### Features

- Include an integral side pulling eye to facilitate tensioning the guy wire or conductor
- PCTA thimble clevis is made using aluminum alloy for areas with higher corrosion potential

### Material

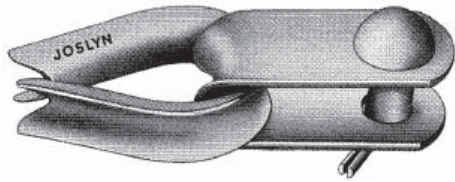
PCTF: Ductile iron hot dip galvanized  
 PCTA: Aluminum alloy  
 Hardware: Steel hot dip galvanized  
 Cotter Pin: Stainless steel



Catalog Number	Conductor Range		Ultimate Strength		A	B	C	D	E	F	Weight /100 (lbs)
	ACSR	Guy Wire	Thimble	Pulling Eye							
PCTF-75	6 - 336.4	3/16 - 5/16	25000	15000	3/4	1 1/2	2 1/8	5/8	1 15/16	3 3/4	200
PCTA-88	6 - 477	3/16 - 3/8	12000	7000	7/8	1 1/2	2 1/8	5/8	1 15/16	3 5/8	100
PCTA-75	6 - 336.4	3/16 - 5/16	10000	6000	3/4	1 1/2	2 1/8	5/8	1 15/16	3 5/8	100



# Clevises



J575

## Thimble

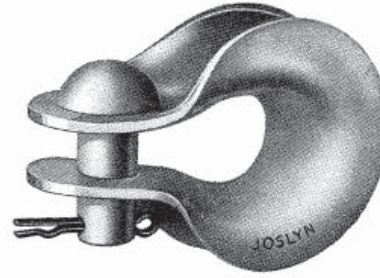
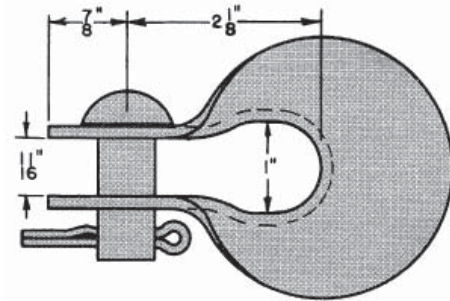
Formed steel thimble clevises provide a light duty, economical interface fitting to deadend wire grips, guy wire, conductor or bails to eye type fittings of insulators, eyebolts and pole eye plates.

### Features

- Used where 1 1/2 inch wire seat diameters are required.

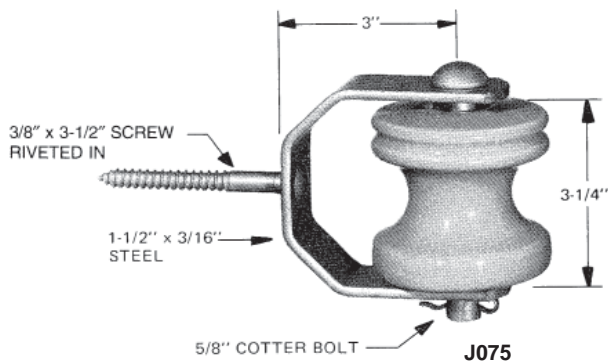
### Material

Pressed steel hot dip galvanized



Pressed Steel J554 and J555

Catalog Number	Pin Dia	Ultimate Strength (lbs)	Clevis Opening	Weight /100 (lbs)
J554	1/2	10000	1	97
J555	5/8	10000	1	101
J575	5/8	7500	1	100



J075

## Wireholder

### Features

- Used with either the J101 or J151 spool insulator for attaching services where triplex-type cable is used
- Insulator sold separately

### Material

Steel hot dip galvanized

Catalog Number	Weight /100 (lbs)
J075	136