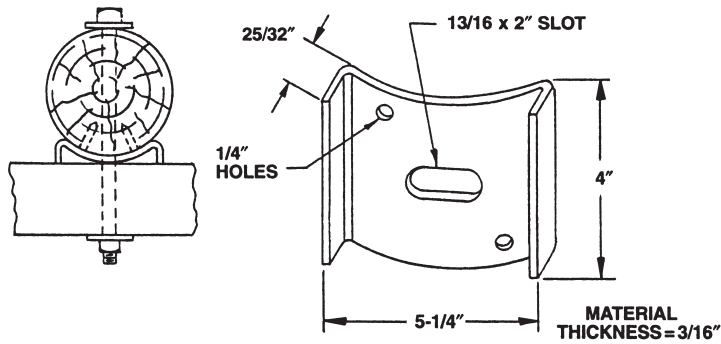




Gains and Guards



Pole

Pole gains are used where it is not possible or desirable to cut a gain in the pole.

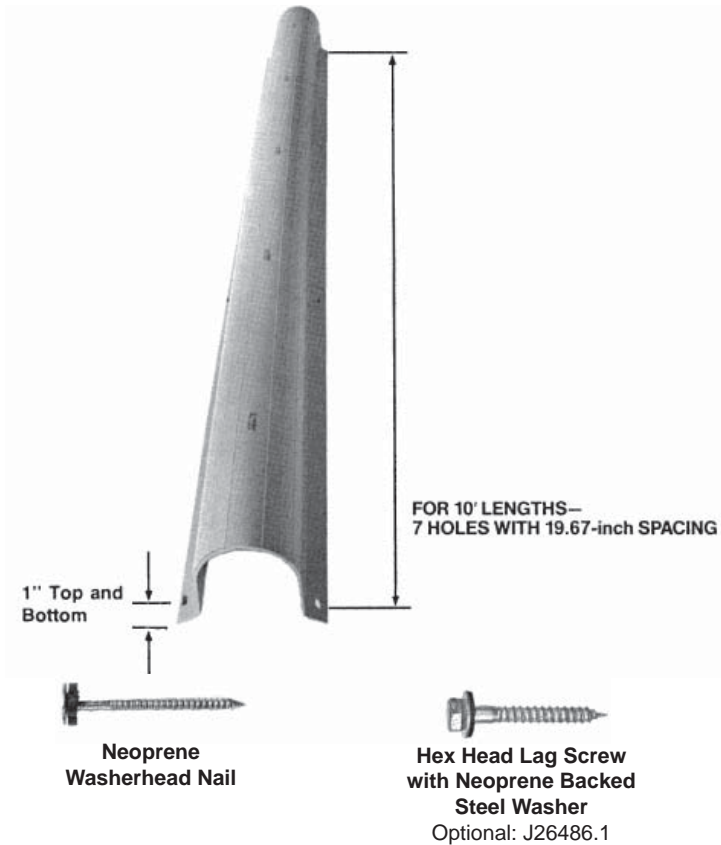
Features

- Enhance the stability of the crossarm and pole interface

Material

Formed steel hot dip galvanized

Catalog Number	Weight /100 (lbs)
J4060	140



Cable, Plastic

Plastic U cable guards are designed to nest over the one piece galvanized cable guard as required by many construction standards which call for a galvanized guard at the base and a plastic guard up the balance of the pole.

Features

- Strong, light weight, maintenance-free means of cable protection
- Nonconducting
- Can be cut to length in the field
- Guards are gray in color

Material

UV stabilized, high impact resistant PVC

Catalog Number	Dimensions (I.D. x Length)	Weight /100 (lbs)
PGU210	2 x 10	6

Notes:

Can be mounted with furnished 1 1/2" x 10 ga. neoprene washerhead nails or optional 1/4 x 2" hex head lag screw with neoprene backed steel washer (catalog number J26486.1)