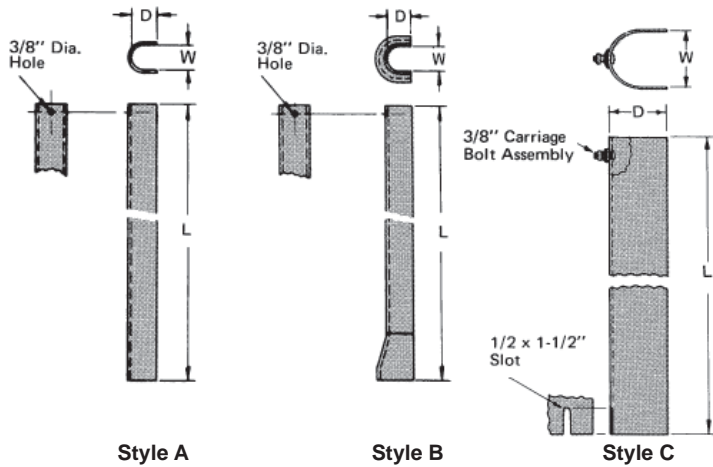




Guards



Cable, Steel

Cable guards are used to protect power and telephone cable at riser installations.

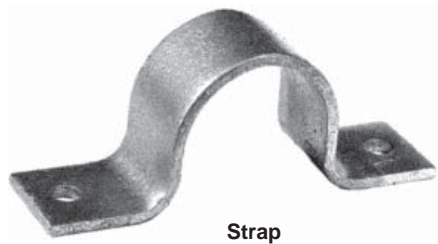
Features

- Offers maximum protection to cable against collisions and vandalism
- Inexpensive strap-mounted style uses lag screws to secure to pole
- Guards without frustrum can be used as extensions to attain any desired height on the pole
- Carriage bolt assembly is furnished on style "C" to fasten extensions and serve as a ground lead attachment

Material

Steel hot dip galvanized

Strap Mounted Guards							
Catalog Number	Style	Steel Gage	Length (ft)	Depth (in)	Width (in)	Strap	Weight /100 (lbs)
J985	A	14	5	1 1/8	1 1/8	J995	470
J984	A	14	8	1 1/8	1 1/8	J995	700
J991	B	14	8	1 5/16	1 1/4	J995	900
J987	A	14	8	2 3/16	2 3/16	J996	1340
J989	A	14	8	3 3/16	3 3/16	J997	2000
J23395.8	C	14	8	3 3/16	3 3/16	J997	1800



Strap

Straps

Catalog Number	Steel Size	For Guard Width (in)	Mounting Hole Dia. (in)	Weight /100 (lbs)
J995	1/8 x 3/4	1 1/8 or 1 1/4	9/32	19.1
J996	1/8 x 3/4	2 3/16	9/32	31.0
J997	3/16 x 1	3 3/16	11/32	69.3



Ground Wire Molding, Plastic

Plastic ground wire molding provides strong, reliable protection of exposed ground wire.

Features

- Low maintenance, safety, handling ease and low cost
- Easily secured to the pole with available diamond point staples or square shank, barbed staples

Material

Gray, high impact resistant, UV stabilized PVC

Catalog Number	Description	Weight /100 (lbs) /1000 ft
PM128	1/2" x 8' molding	50