



# Bayonets

## Ground Wire

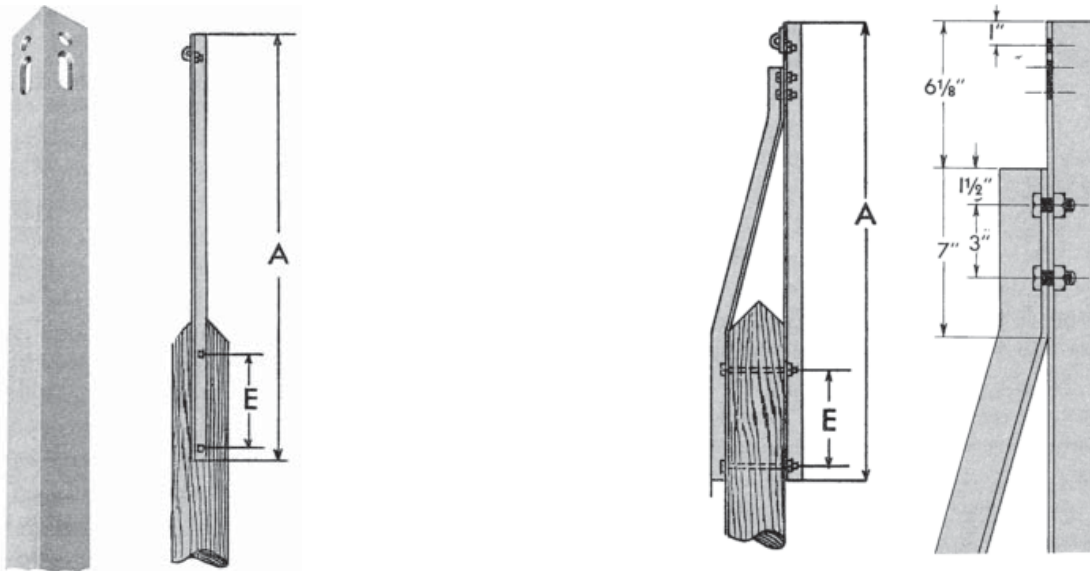
Ground wire bayonets are used for supporting overhead ground wires.

## Features

- Top hole and slot 9/16" diameter with 2" hole centers used to mount clamps with 1/2" diameter bolts
- Clamps are not included and should be ordered separately
- Mounting holes for 5/8" machine bolts
- Available in straight and corner styles

## Material

Steel hot dip galvanized



## Straight Bayonet

### Features

Straight type bayonet consists of one angle with clamp holes punched in both legs to permit mounting the bayonet to either the face or the side of the pole. Straight bayonets also have a 7/16" diameter hole at the bottom for a ground lug if required.

Catalog Number	A	E	Angle Size	Weight /100 (lbs)
J1130	36	10	2 x 2 x 1/4	960
J1132	48	12	2 1/2 x 2 1/2 x 1/4	1600
J1134	84	20	3 x 3 x 1/4	3400

## Corner Bayonet

### Features

Corner bayonets consist of two angle sections and two 1/2" bolts for fastening them together. One angle is offset to fit 8" diameter poles; however, the legs can either be spread apart or pushed together to fit other diameters. The mounting bolts in the bent legs are slotted to allow for any pole boring inaccuracy.

Catalog Number	A	E	Angle Size	Weight /100 (lbs)
J1135	36	10	2 x 2 x 3/16	1400
J1137	66	15	2 x 2 x 1/4	3440