



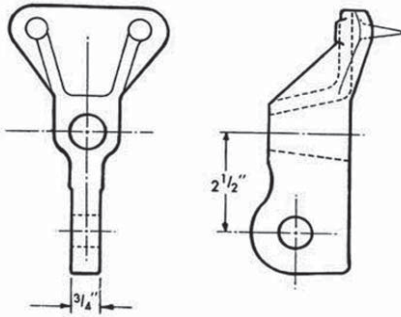
Guy Attachments

Pole Eye Plates

Pole eye plate attachments are used with fiberglass guy strain insulators or thimble clevises in guying or deadending applications.

Material

Ductile iron hot dip galvanized



Catalog Number	Max Clevis Pin (in)	Mounting Bolts (in)	Angle (°)	Min Ultimate Strength (lbs)	Weight /100 (lbs)
PE-7X2	3/4	3/4 - 7/8	10 - 90	21000	350

Pole Eye Plates

Material

Ductile iron hot dip galvanized

Catalog Number	Fig	Max Clevis Pin (in)	Angle (°)	Min Ultimate Strength		Weight /100 (lbs)
				45°	90°	
EPR-8777	1	7/8	10 - 90	42000	36000	950
EPR8-77-D7	2	7/8	10 - 90	42000	36000	1100

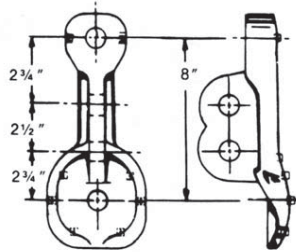
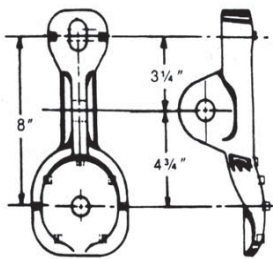


Figure 1

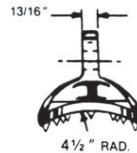


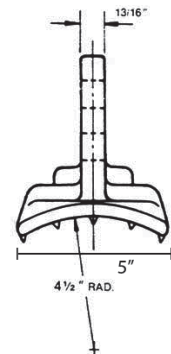
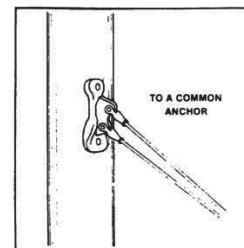
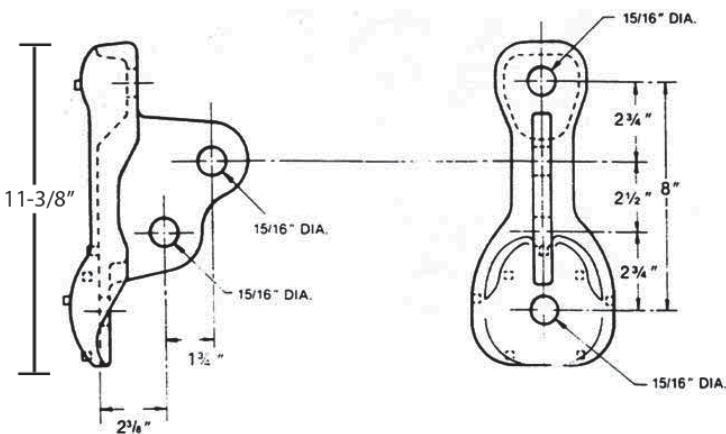
Figure 2

Pole Eye Plates

Material

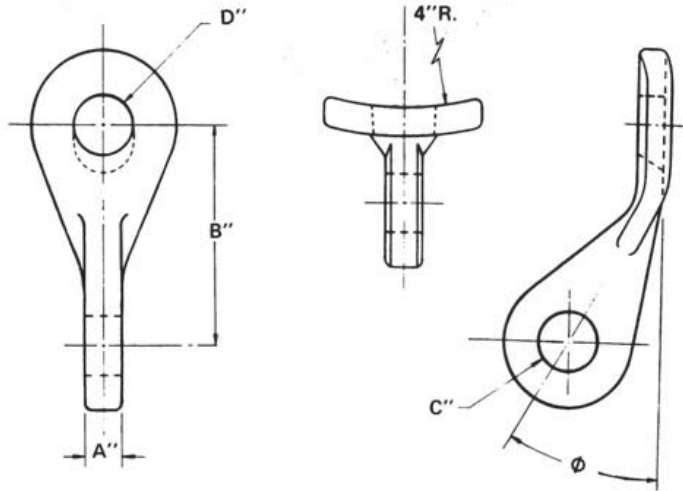
Ductile iron hot dip galvanized

Catalog Number	Back Surface	Ratings		Maximum Pin Diameter	Weight /100 (lbs)
		45°	90°		
EPR 877-D7RE	with teeth	42000	36000	7/8	1100
EPR 877-D7RE-LT	less teeth	42000	36000	7/8	1100





Guy Attachments



Pole Eye Plates

Pole eye plate attachments are used with fiberglass guy strain insulators or thimble clevises in guying or deadending applications.

Material

Ductile iron hot dip galvanized

Catalog Number	A	B	C	D	Min Ultimate Strength (lbs)	Weight Ea (lbs)
GE-66	1/2	2 3/4	13/16	13/16	15000	1

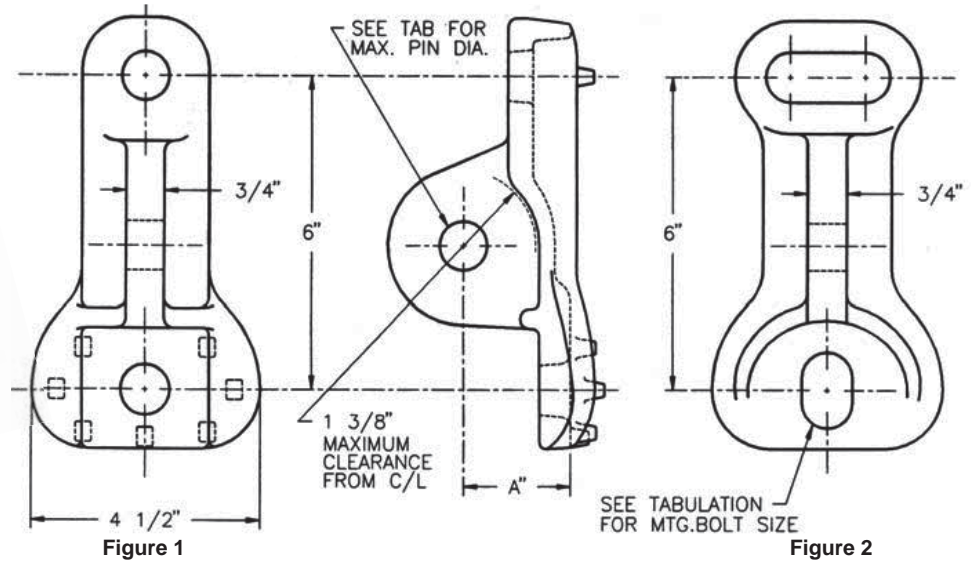


Figure 1

Figure 2

Catalog Number	Fig	A	Max Clevis Pin (in)	Mounting Bolts	Mounting Holes		Min Ultimate Strength		Weight /100 (lbs)
					Top	Bottom	45°	90°	
EPR-66S-7	2	1 7/8	7/8	5/8 - 3/4	Slot-Horiz	Slot-Vert	36000	30000	600
EPR-66S-10	2	1 7/8	1 1/4	5/8 - 3/4	Slot-Horiz	Slot-Vert	36000	30000	600
EPR-66S-12	2	1 7/8	1 1/2	5/8 - 3/4	Slot-Horiz	Slot-Vert	36000	30000	600
EPR-77-7	1	2 1/8	7/8	3/4 - 7/8	Hole	Hole	42000	36000	600
EPR-77A-7	2	2 1/2	7/8	3/4 - 7/8	Hole	Slot-Vert	42000	36000	600
EPR-77S-7	2	1 7/8	7/8	3/4 - 7/8	Slot-Horiz	Slot-Vert	42000	36000	600
EPR-77-10	1	2 1/8	1 1/4	3/4 - 7/8	Hole	Hole	42000	36000	600

Notes:

For attachment without cleats, add suffix "LT" to catalog number



Guy Attachments

Pole Eye Plates

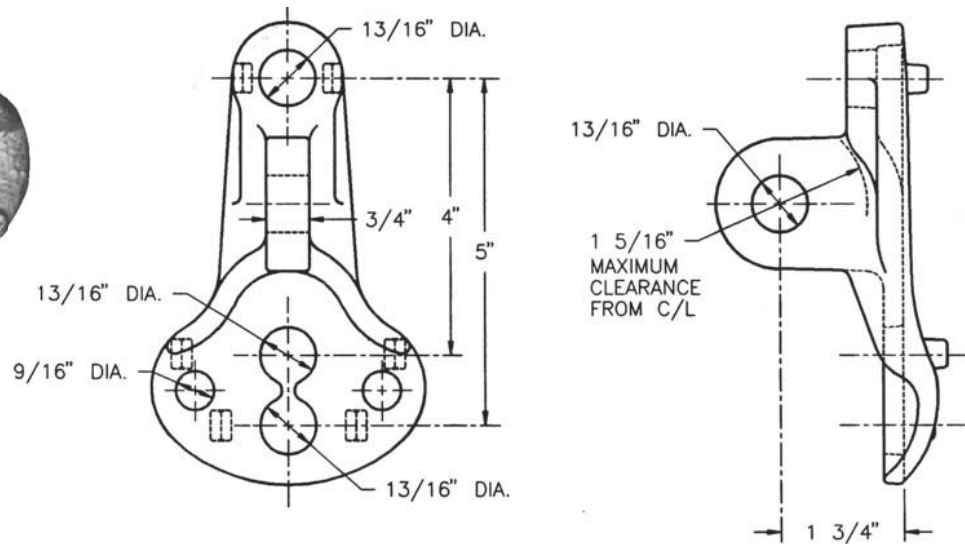
Pole eye plate attachments are used with fiberglass guy strain insulators or thimble clevises in guying or deadending applications.

Features

- Wide variety of mounting hardware options
- Bottom mounting base will accommodate an additional 3/4" diameter through bolt or two 1/2" diameter lag screws
- Includes integral spurs to resist movement

Material

Ductile iron hot dip galvanized

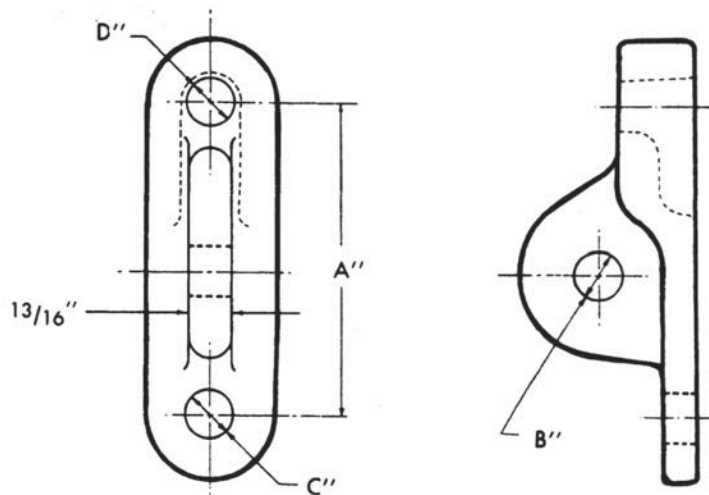


Catalog Number	Max Clevis Pin (in)	Angle (°)	Min Ultimate Strength (lbs)	Weight /100 (lbs)
PEP-66-45	3/4	10 - 90	21000	220

Pole Eye Plates

Material

Ductile iron hot dip galvanized



Catalog Number	A	B	C	D	Max Clevis Pin (in)	Angle (°)	Min Ultimate Strength		Weight /100 (lbs)
							45°	90°	
EPF-88-7	6	15/16	1 1/16	1 1/16	7/8	10 - 90	45000	40000	800
EPF-88-8	6	1 1/16	1 1/16	1 1/16	1	10 - 90	45000	40000	800