



# Hooks



J3316P



J3318

## Service, Drop Wire

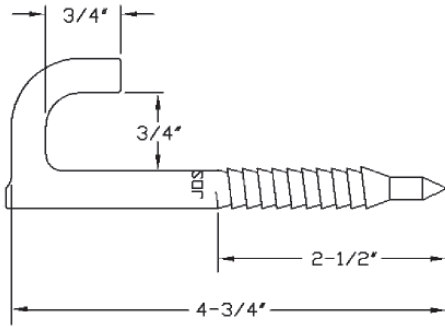
Full line of hooks for supporting bail-type drop wire and deadend clamps from poles and crossarms

### Features

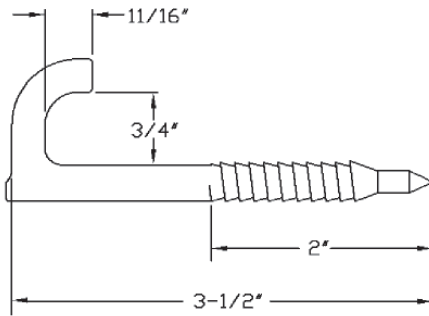
- J3316P and J3318 drive hooks have rolled fetter drive threads and a pilot point for easy starting
- J8245, complete with square nut, bolts through the side of a wood crossarm for deadending telephone services

### Material

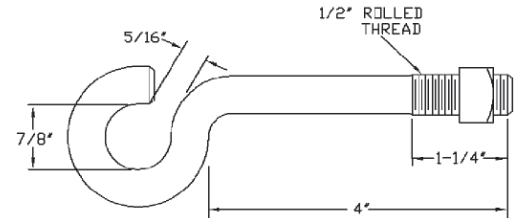
Steel hot dip galvanized



J3316P



J3318



J8245

Catalog Number	Size (in)	Weight /100 (lbs)
J3316P	7/16 x 4 3/4 FD	27.0
J3318	5/16 x 3 1/2 FD	11.6
J8245	1/2 x 5 3/4	42.0



## Service, Drop Wire

### Features

- Can be used at the pole or building end of a duplex or triplex service drop
- Breaking strength of hook exceeds 2000 lbs

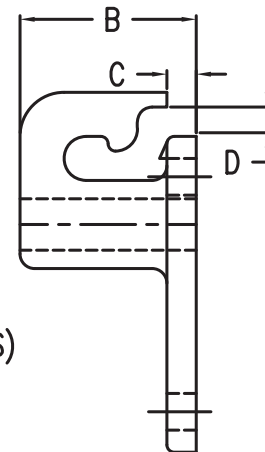
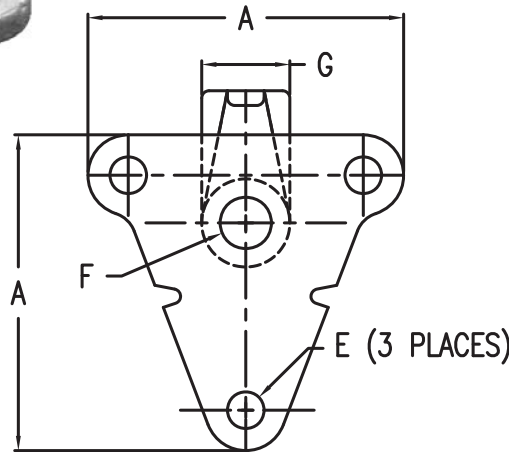
### Material

U2395:

Aluminum

U2398:

Ductile iron hot dip galvanized



Catalog Number	A	B	C	D	E	F	G	Weight /100 (lbs)
U2395	2.688	1.5	0.25	0.25	0.312	0.438	0.75	20
U2398	2.688	1.5	0.25	0.25	0.312	0.438	0.75	55