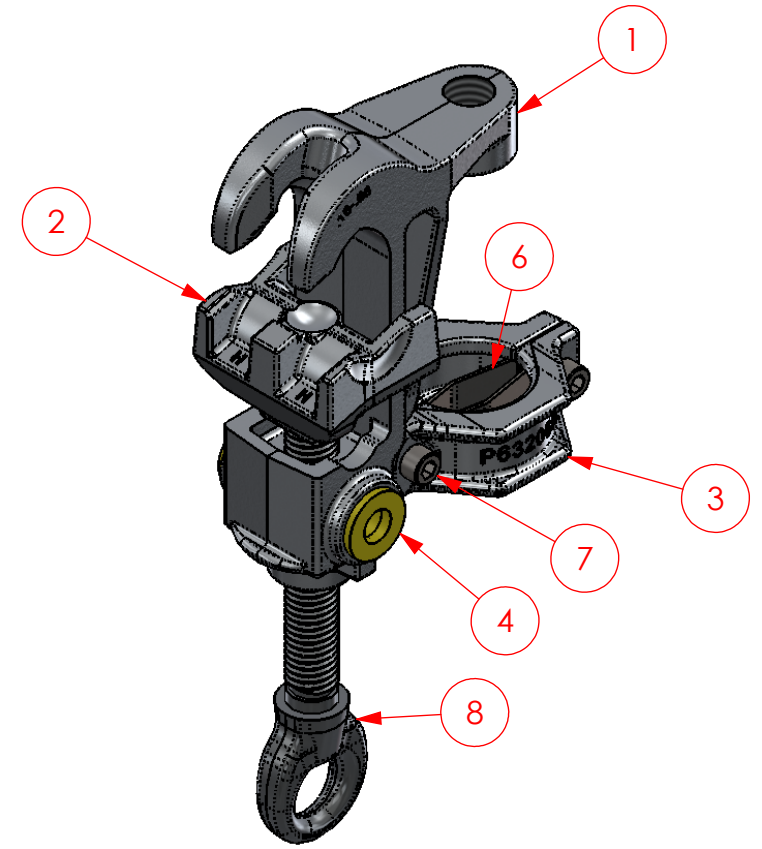
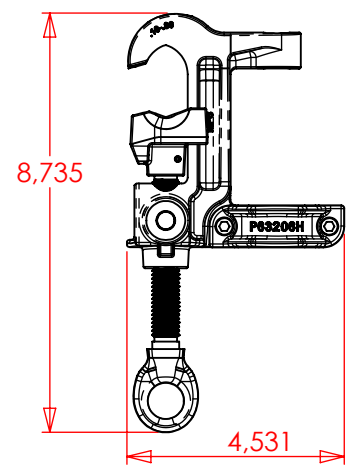
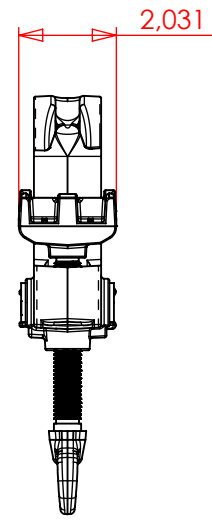
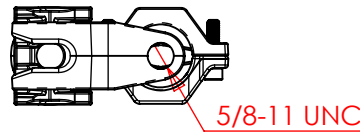


ITEM	DESCRIPTION	MATERIAL	QTY
1	CLAMP BODY	ALUMINIUM A356-T6	1
2	KEEPER	ALUMINIUM A356-T6	1
3	4/O STRAIN RELIEF CAP	ALUMINIUM A356-T6	1
4	YELLOW PLASTIC CAPPLUGS Ø0,145"	PLASTIC	2
5	SPRING PIN 1/8 X 1	STAINLESS STEEL	1
6	SPRING BLADES FOR CLAMP ARCH AND TERMINAL	301 STAINLESS STEEL	2
7	SOCKET HEAD CAP SCREW, 1/4-20, 1 LENGTH	STAINLESS STEEL	2
8	EYE SCREW MACHINED FOR 01-M-034	ALUMINIUM 7075-T6	1

PART NUMBER  
F601004  
DRAWING NUMBER  
01-M-034  
FORMAT  
A



This drawing contains confidential information that is the property of MacLean Power Systems Canada. Use of MacLean's confidential information without MacLean's express written consent is strictly prohibited and may expose you to legal liability. If you believe that you received this material in error, please destroy it or return it to MacLean Power Systems Canada, 225 Ford, Chateauguay (Québec), Canada, J6J 4Z2

**MACLEAN  
POWER  
SYSTEMS**  
225 Ford, Chateauguay (Qué.) Canada J6J 4Z2  
Tel. (450) 698-0520 Fax: (450) 692-5670

DESCRIPTION  
UNIVERSAL GROUND CLAMP  
20MM #8 AWG 556 MCM

PROJECT NUMBER  
274  
SAP:  
PAGE  
1 of 1

PART NUMBER  
F601004  
PRODUCT NUMBER  
01-M-034  
DRAWING NUMBER  
01-M-034