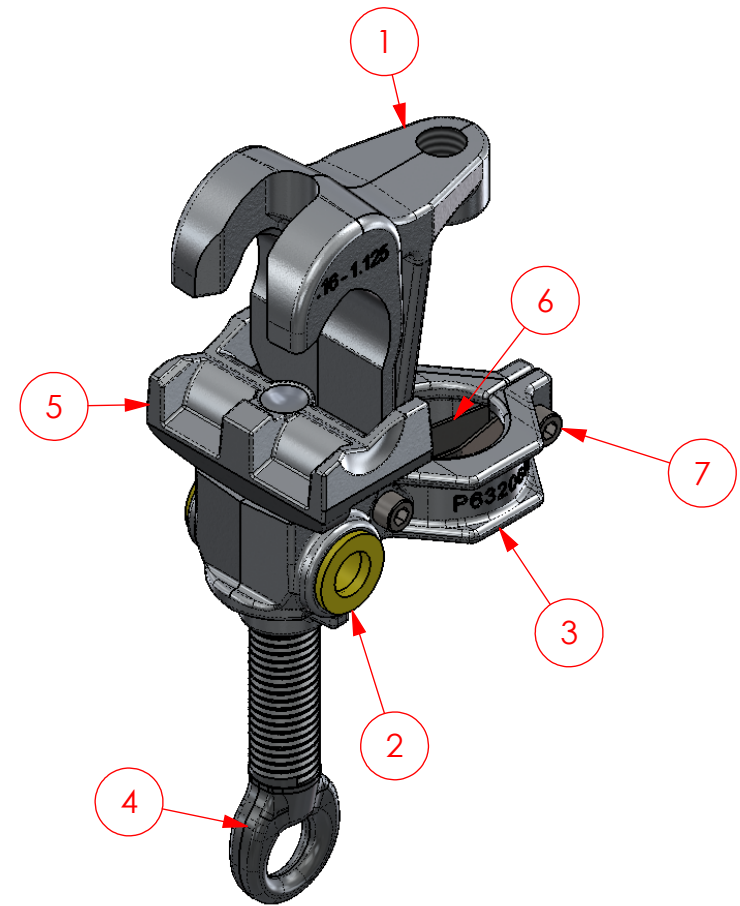
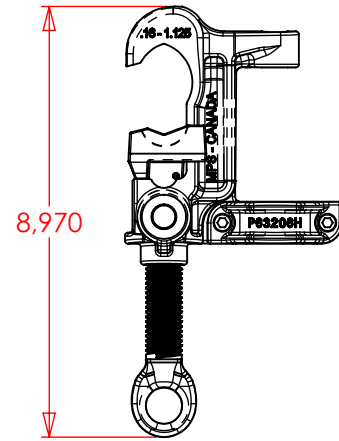
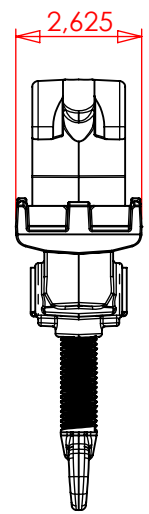
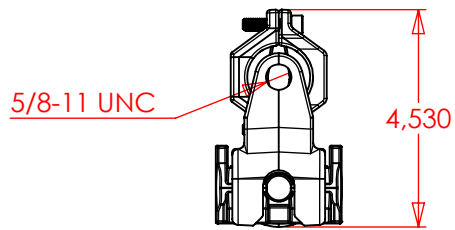



ITEM	DESCRIPTION	MATERIAL	QTY
1	CLAMP BODY	ALUMINIUM	1
2	YELLOW PLASTIC CAPPLUGS Ø0,615"	PLASTIC	2
3	4/0 STRAIN RELIEF CAP	ALUMINIUM A356-T6	1
4	EYE SCREW	ALUMINIUM 7075-T6	1
5	KEEPER FOR 01-M-037	ALUMINIUM A356-T6	1
6	SPRING BLADES FOR CLAMP ARCH AND TERMINAL	301 STAINLESS STEEL	2
7	SOCKET HEAD CAP SCREW, 1/4-20, 1 LENGTH	STAINLESS STEEL	2
8	SPRING PIN 1/8 X 1	STAINLESS STEEL	1



PART NUMBER  
F613941  
DRAWING NUMBER  
01-M-037  
FORMAT  
A

This drawing contains confidential information that is the property of MacLean Power Systems Canada. Use of MacLean's confidential information without MacLean's express written consent is strictly prohibited and may expose you to legal liability. If you believe that you received this material in error, please destroy it or return it to MacLean Power Systems Canada, 225 Ford, Chateauguay (Québec), Canada, J6J 4Z2



**MACLEAN  
POWER  
SYSTEMS**  
225 Ford, Chateauguay (Qué.) Canada J6J 4Z2  
Tel. (450) 698-0520 Fax: (450) 692-5670

DESCRIPTION  
25MM GROUNDING CLAMP

PROJECT NUMBER  
US-050  
SAP:  
PAGE  
1 of 1

PART NUMBER  
F613941  
PRODUCT NUMBER  
01-M-037  
DRAWING NUMBER  
01-M-037