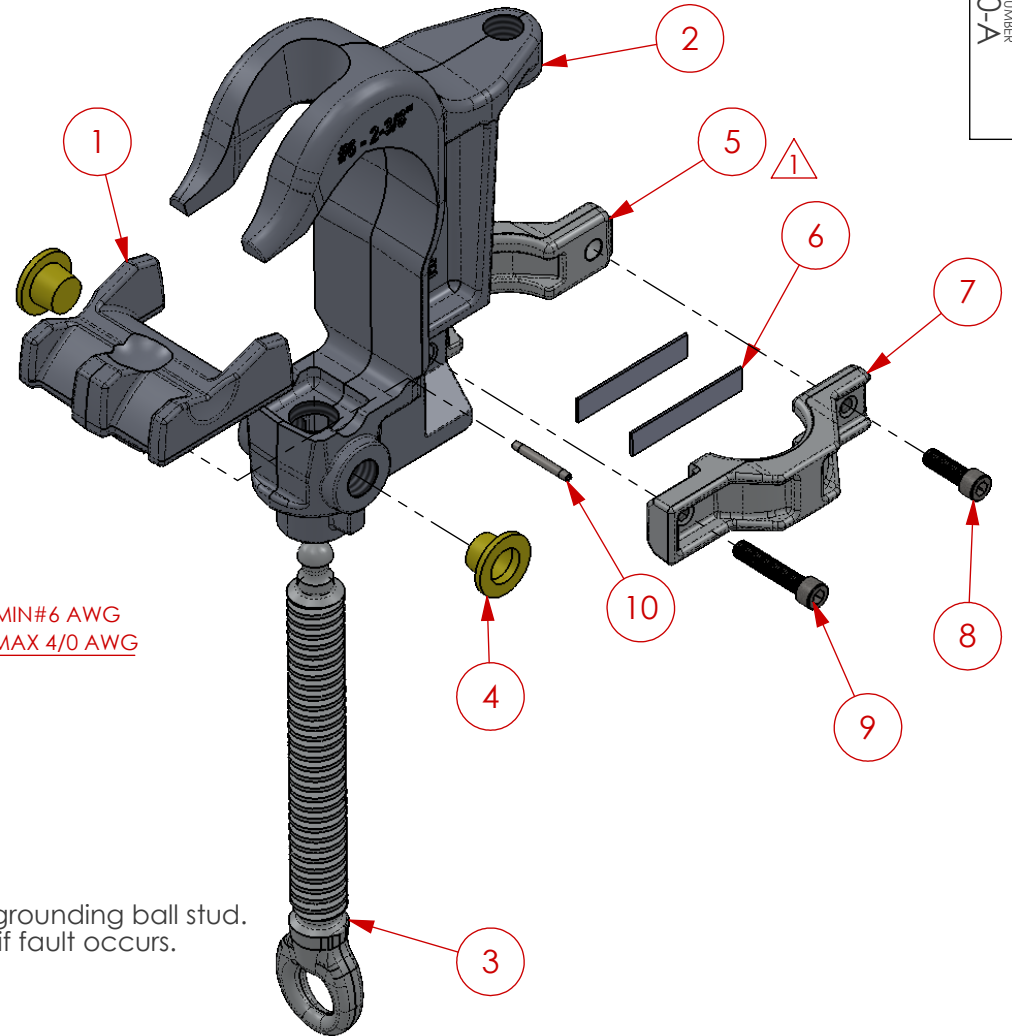
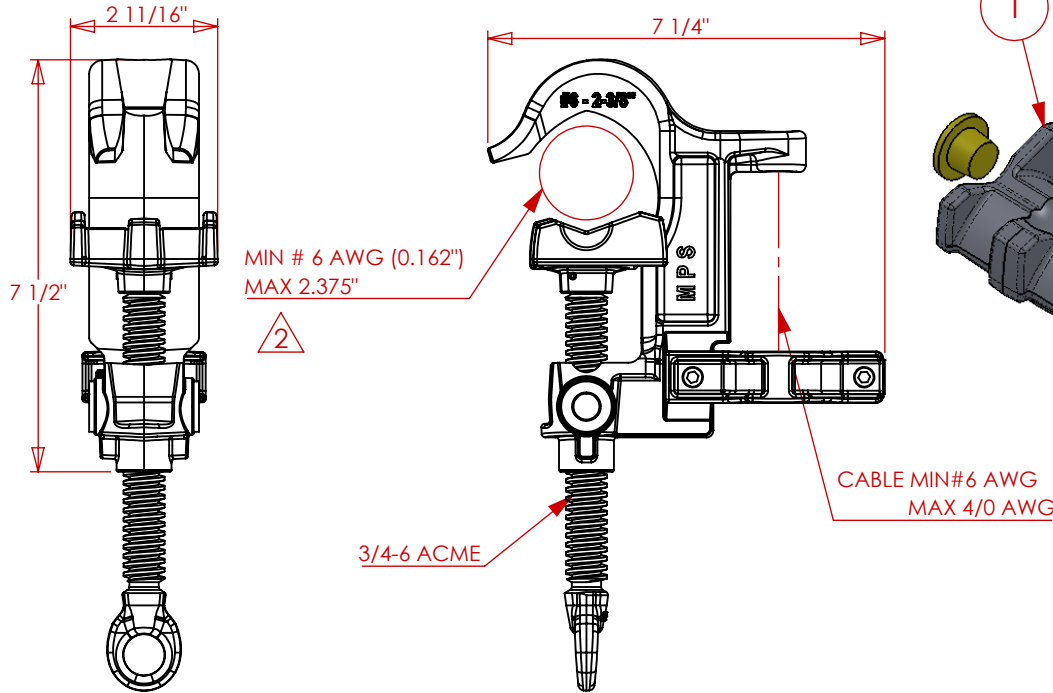


ITEM	DESCRIPTION	QTY
1	KEEPER	1
2	CLAMP BODY	1
3	FORGED EYE SCREWS	1
4	YELLOW PLASTIC CAPPLUGS Ø0,615"	2
5	STRAIN RELIEF CAP.	1
6	SPRING BLADE	2
7	STRAIN RELIEF CAP.	1
8	SOCKET HEAD CAP SCREW, 1/4-20, 3/4 LENGTH	1
9	SOCKET HEAD CAP SCREW, 1/4-20, 1 1/4 LENGTH	1
10	SPRING PIN 1/8 X 1	1

REV.	DATE	DESCRIPTION	REQ.	BY/PAR
1	11/4/2016	UPDATE LINKS BOM, ASTM F855 2009 CHANGED TO ASTM F855 14	-	SO
2	6/14/2017	ADDED NOTE	-	SO

PRODUCT NUMBER / DRAWING NUMBER
01-M-070-A



FEATURES:

- Grade 5H as per ASTM F855-14.
- Installation on conductor, round bus bar and 25mm (1") and 30mm grounding ball stud.
- Stress relief to reduce cable damage and serve as a shock damper if fault occurs.
- Fitted to receive a 5/8-11 UNC threaded stud ferrule.
- Lubrication chamber for upkeep of threads.
- Installation eye for installing clamp with shotgun stick.
- T-Handle option compatible#HC-10026.
- Max jaw opening = 2.5"



UNLESS OTHERWISE SPECIFIED, ALL DIMENSIONS ARE IN INCHES		DESCRIPTION UNIVERSAL GROUNDING CLAMP 25 AND 30 MM		DRAWN ON 07-04-2016	
		TOLERANCES ARE:		PROJECT NUMBER R6181	
.X	± 0.031	225 Ford, Châteauguay (Qué.) Canada J6J 4Z2 Tel. (450) 698-0520 Fax: (450) 692-5670	SCALE 2:5	PAGE 1 of 1	PRODUCT NUMBER / DRAWING NUMBER 01-M-070-A
.XX	± 0.010				
.XXX	± 0.005				PART NUMBER F617359
ANGLES	+/- 1°				