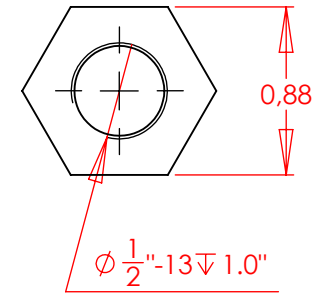
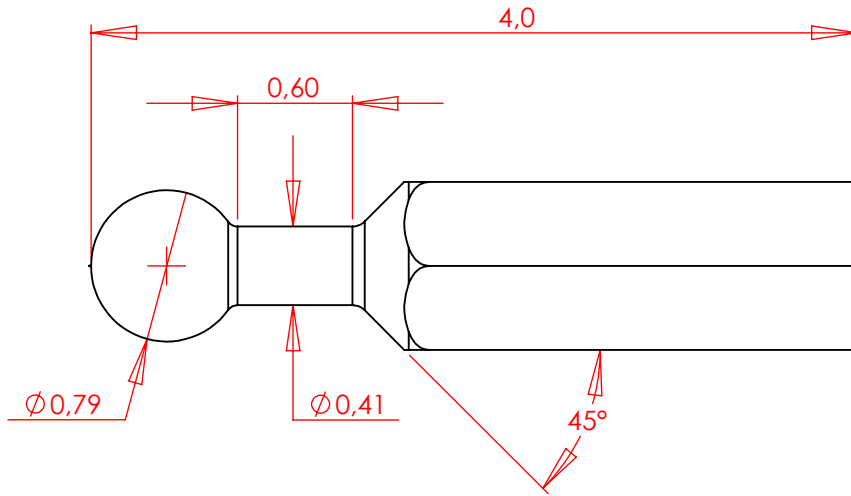
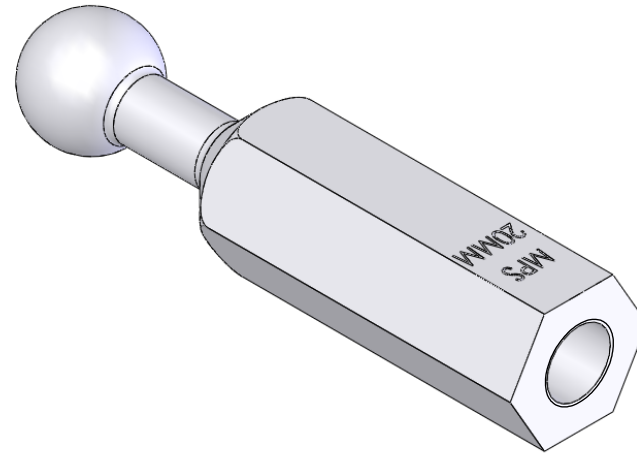


NOTES:

1. MATÉRIEL; CUIVRE C110-ETP ÉTAMÉ 0.0003" SELON MIL-T-10727 TYPE 1
2. CAPACITÉ: 20KA (1 SEC)
3. RAYON: 1/16" SI NON SPECIFIÉ

Rév.	Date	Description	Par
1	xx/xx/xx	XXXXXXXXXXXXXXXXXXXXXXXXXXXX	xx

No Dessin
03M026
Format
A



This drawing contains confidential information that is the property of MacLean Power Systems Canada. Use of MacLean's confidential information without MacLean's express written consent is strictly prohibited and may expose you to legal liability. If you believe that you received this material in error, please destroy it or return it to MacLean Power Systems Canada, 225 Ford, Chateauguay (Québec), Canada, J6J 4Z2

SAUF INDICATION CONTRAIRE, DIMENSIONS EN POUCE	
TOLERANCES SONT:	
.X	± 0.031
.XX	± 0.010
.XXX	± 0.005
ANGLES	+/- 1

**MACLEAN
POWER
SYSTEMS**

225 Ford, Chateauguay (Qué.) Canada J6J 4Z2
Tel. (450) 698-0520 Fax: (450) 692-5670

Nom Feuille: Feuille1	1 de 1	Dessiné le: 2011-06-23
DESCRIPTION SAP#: 1061657		Dessiné par: H.Liang
Échelle 1:1		Approuvé par: AQuenneville
No Projet XXX	No Produit 03-M-026	No Dessin 03M026