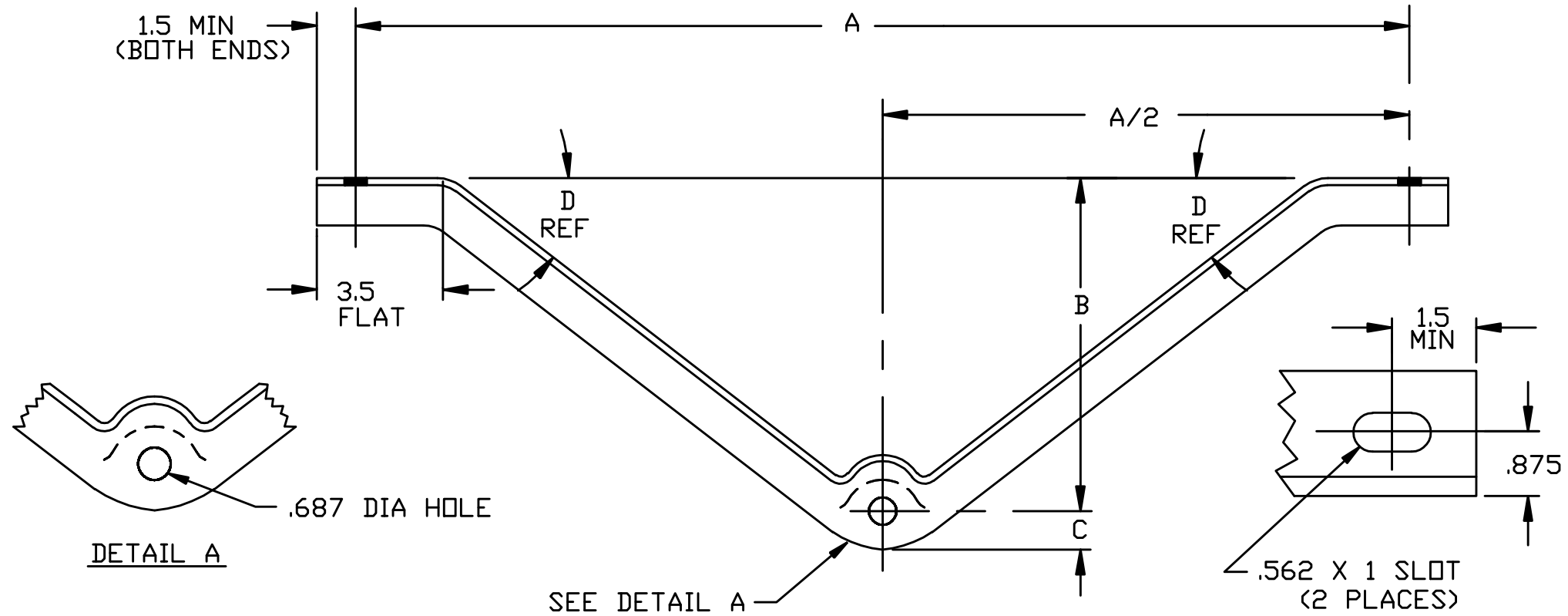


REVISIONS

NO.	DATE	DESCRIPTION	BY	CKD



CATALOG NO.	ANGLE SIZE	A	B	C	D
J1506	1.5 X 1.5 X .187	3'-6"	12	.625	32°
J1508	1.5 X 1.5 X .187	5'-0"	18	.625	33°
J1510	1.75 X 1.75 X .187	5'-0"	18	.625	33°
J1512	1.75 X 1.75 X .187	6'-0"	22	.625	33°
J1514	1.5 X 1.5 X .187	4'-0"	18	.625	39°

MATERIAL:


HOT ROLLED CARBON STEEL ANGLE (ASTM A-36)

NOTES:

- 1) ALL DIMENSIONS ARE IN INCHES, EXCEPT AS NOTED
- 2) HOT DIP GALVANIZED (ASTM A-153)

ENG. REF.

All information contained in this disclosure whether patentable or otherwise comprises proprietary information of MacLean Dixie, LLC. and its unauthorized use or publication without the express written consent of MacLean Dixie, LLC. is strictly prohibited.



MACLEAN DIXIE, LLC.
 A MACLEAN POWER SYSTEMS COMPANY
 1500 RED HOLLOW RD.
 BIRMINGHAM, ALABAMA 35215

ANGLE DOUBLE SPAN BRACE

DATE: 7-20-05	SCALE: FULL	NO. 1204-C	R/0	SH. 1
DWN. BY: JB	CKD. BY:	APR. BY:		OF 1