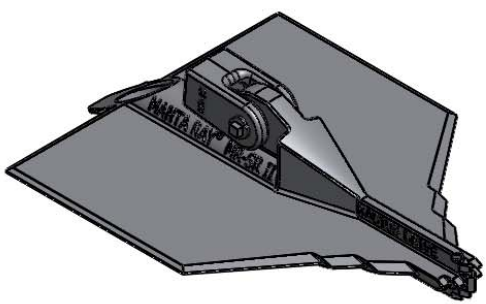
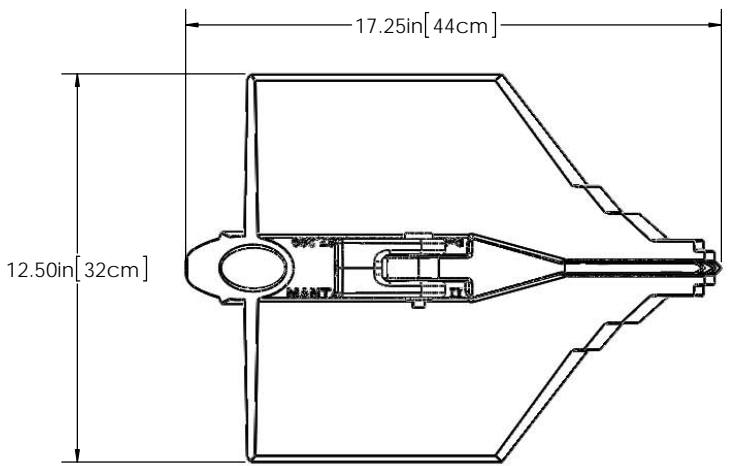


8 7 6 5 4 3 2 1

PAPER SIZE	CATALOG NUMBER
<b>B</b>	20229-UT-II

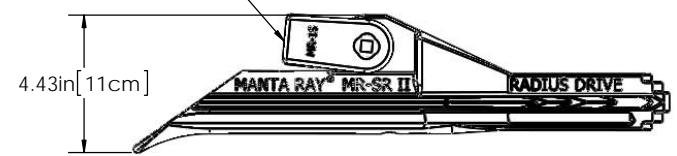
NOTES: UNLESS OTHERWISE SPECIFIED:

- 1) MECHANICAL ULTIMATE CAPACITY: 40,000 LBS [177.9kN]
- 2) MAXIMUM WORKING LOAD: UP TO 27,000 LBS [120.1 kN]  
(THIS VALUE IS SOIL AND ANCHOR ROD DEPENDANT)
- 3) AVERAGE WEIGHT: 19.5 LBS [8.8 kg]
- 4) FINISH: HOT DIP GALVANIZED



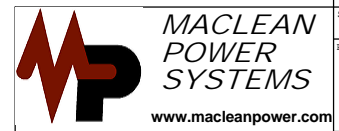
ISOMETRIC VIEW  
SCALE: 1:4

THREAD REFERENCE:  
1-8 UNC - 2B + .020



This drawing contains confidential information that is the property of MacLean Power, L.L.C. ("MacLean"). Use of MacLean's confidential information without MacLean's express written consent is strictly prohibited and may expose you to legal liability. If you believe that you received this material in error, please destroy it or return it to "MacLean Power, L.L.C., 11411 Addison Street, Franklin Park, Illinois 60131, "USA."

**ODA**  
OUTSIDE DISTRIBUTION APPROVED: NON-PRODUCTION DRAWING



DRAWING NUMBER:	20229-UT-II	
SHEET NAME:	SHEET1	1 OF 1
PRODUCT DESCRIPTION	MR-SR-1"-UTILITY-II ANCHOR/SHACKLE ASSEMBLY	
DRAWN BY:	JFD	DATE: 03/06/13

8 7 6 5 4 3 2 1