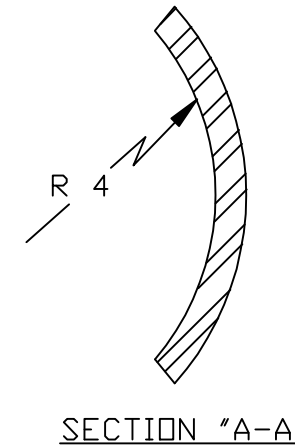
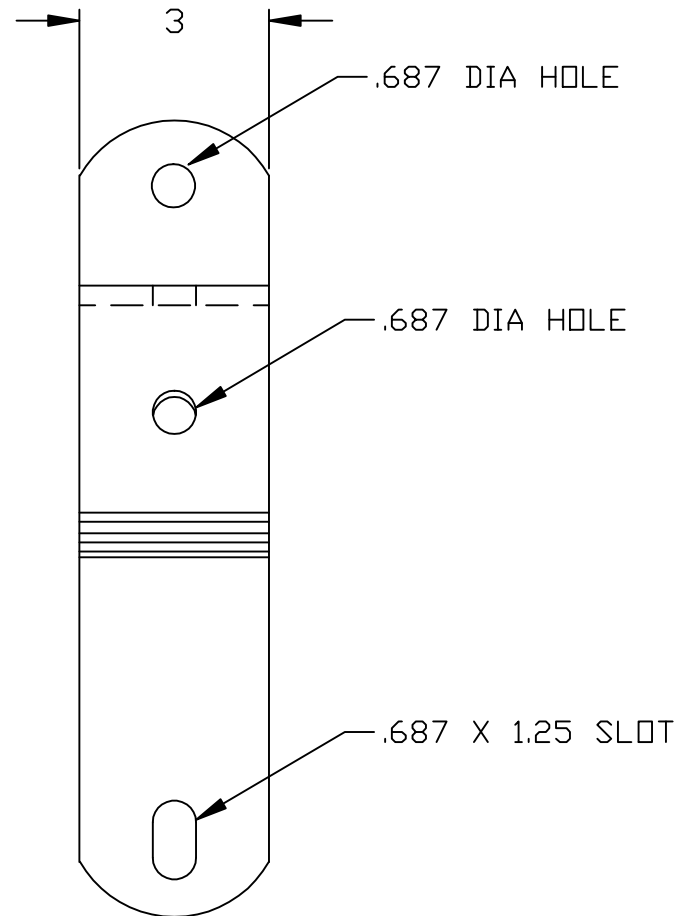
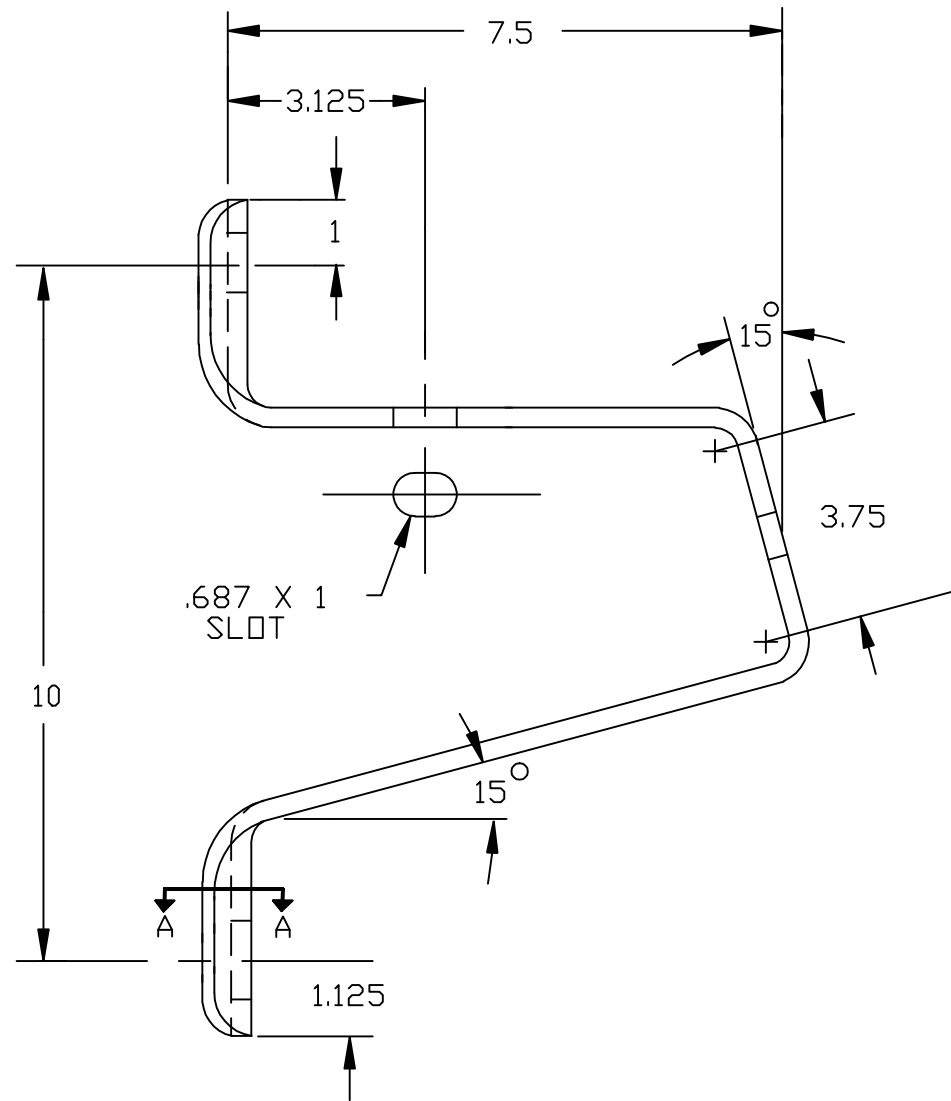


REVISIONS

NO.	DATE	DESCRIPTION	BY	CKD



MATERIAL:

.312 X 3.000 HOT ROLLED CARBON STEEL (ASTM A-36)

NOTES:

- 1) ALL DIMENSIONS ARE IN INCHES, EXCEPT AS NOTED
- 2) HOT DIP GALVANIZED (ASTM A-153)



MACLEAN DIXIE, LLC.
A MACLEAN POWER SYSTEMS COMPANY
1500 RED HOLLOW RD.
BIRMINGHAM, ALABAMA 35215

LINE POST INSULATOR BRACKET
CAT. NO. 25255.1

All information contained in this disclosure whether patentable or otherwise comprises proprietary information of MacLean Dixie, LLC. and its unauthorized use or publication without the express written consent of MacLean Dixie, LLC. is strictly prohibited.

DATE: 7-20-05	SCALE: FULL	NO. 25255-C	R / 0	SH. 1
DWN. BY: JB	CKD. BY:	APR. BY:	OF 1	

ENG. REF.