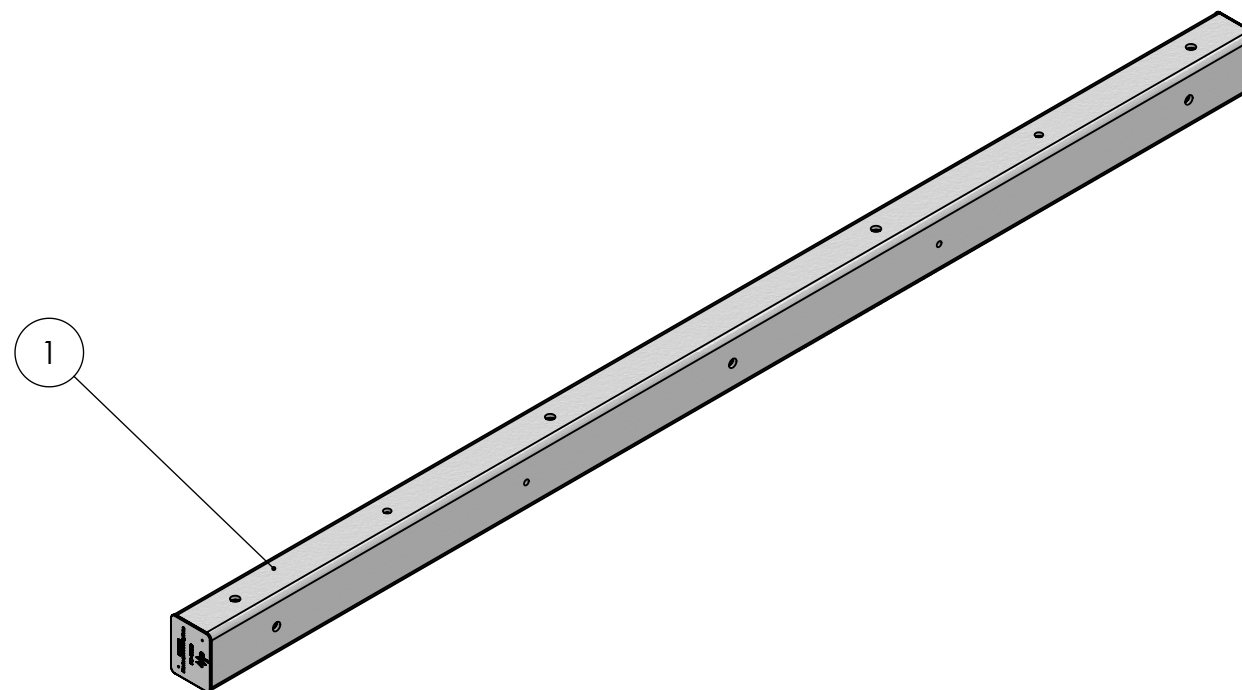



ITEM NO.	PART NUMBER	DESCRIPTION	QTY.
1	P90008W	PW FOAMED TUBE	1

PAPER SIZE		DRAWING NUMBER	
B		3003-021	
REVISIONS			
REV.	ECO BY	ECO DATE	ECO NUMBER
A	TJK	10/7/13	00548



THIS DRAWING CONTAINS CONFIDENTIAL INFORMATION THAT IS THE PROPERTY OF MACLEAN POWER, L.L.C. ("MACLEAN"). USE OF MACLEAN'S CONFIDENTIAL INFORMATION WITHOUT MACLEAN'S EXPRESS WRITTEN CONSENT IS STRICTLY PROHIBITED AND MAY EXPOSE YOU TO LEGAL LIABILITY. IF YOU BELIEVE THAT YOU RECEIVED THIS MATERIAL IN ERROR, PLEASE DESTROY IT OR RETURN IT TO "MACLEAN POWER, L.L.C., 7801 PARK PLACE RD., YORK, SOUTH CAROLINA 29745, USA."

CATALOG NUMBER: PW08REA003	CUSTOMER NUMBER: N/A	PART NUMBER: F490294	DRAWING NUMBER: 3003-021	DO NOT SCALE DRAWING
PHYSICAL PROPERTIES <small>UNLESS OTHERWISE SPECIFIED DIMENSIONS ARE IN:</small> INCHES			SHEET: 1 OF 2	CAD GENERATED DRAWING DO NOT MANUALLY UPDATE
			DRAWING DESCRIPTION: PW TANGENT CROSSARM	
MATERIAL: FIBERGLASS	TOLERANCES ARE:		DRAWN BY: TJK	
APPROX. WEIGHT : N/A	.XX +/- .03	.XXX +/- .015	ENGINEER: tkrohn	
VOLUME: IN3	X/XX +/- 1/32	ANGLES +/- 1°	APPROVED: 10/07/13	
		 7801 PARK PLACE RD. YORK, SC. 29745 TEL. (803) 628-2100 FAX: (803) 628-2139		PRODUCT LINE: CROSSARMS
			SCALE: 1:12.5	

8

7

6

5

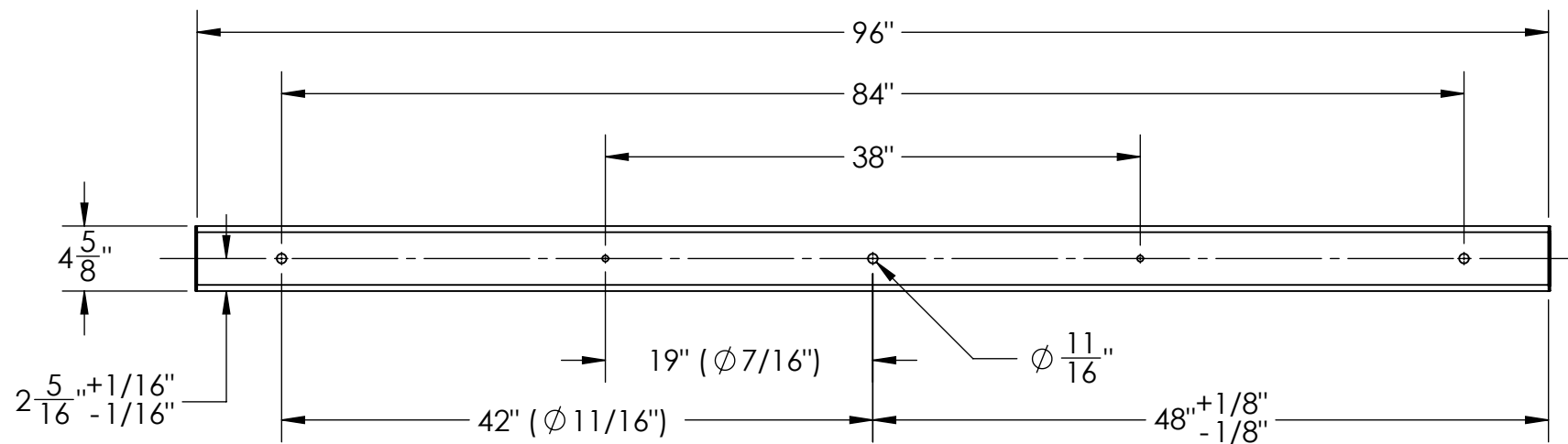
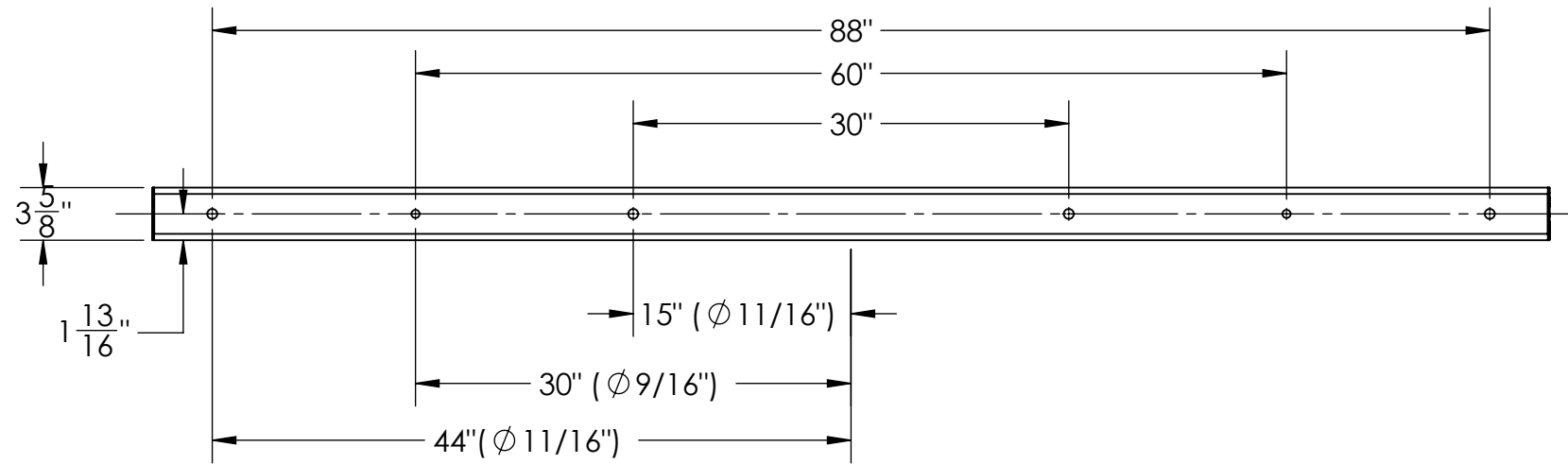
4

3

2

1

PAPER SIZE	DRAWING NUMBER
B	3003-021



CATALOG NUMBER: PW08REA003	CUSTOMER NUMBER: N/A	PART NUMBER: F490294	DRAWING NUMBER: 3003-021	DO NOT SCALE DRAWING
PHYSICAL PROPERTIES UNLESS OTHERWISE SPECIFIED DIMENSIONS ARE IN: INCHES			SHEET: 2 OF 2	CAD GENERATED DRAWING DO NOT MANUALLY UPDATE
			DRAWING DESCRIPTION: PW TANGENT CROSSARM	
MATERIAL: FIBERGLASS	TOLERANCES ARE:	DRAWING DESCRIPTION: PW TANGENT CROSSARM		DRAWN BY: TJK
APPROX. WEIGHT : N/A	.XX +/- .03	PRODUCT LINE: CROSSARMS		ENGINEER: tkrohn
VOLUME: IN3	.XXX +/- .015	SCALE: 1:12.5		APPROVED: 10/07/13
	X/XX +/- 1/32	TEL. (803) 628-2100 FAX: (803) 628-2139		
	ANGLES +/- 1°			

THIS DRAWING CONTAINS CONFIDENTIAL INFORMATION THAT IS THE PROPERTY OF MACLEAN POWER, L.L.C. ("MACLEAN"). USE OF MACLEAN'S CONFIDENTIAL INFORMATION WITHOUT MACLEAN'S EXPRESS WRITTEN CONSENT IS STRICTLY PROHIBITED AND MAY EXPOSE YOU TO LEGAL LIABILITY. IF YOU BELIEVE THAT YOU RECEIVED THIS MATERIAL IN ERROR, PLEASE DESTROY IT OR RETURN IT TO "MACLEAN POWER, L.L.C., 7801 PARK PLACE RD., YORK, SOUTH CAROLINA 29745, USA."

8 7 6 5 4 3 2 1