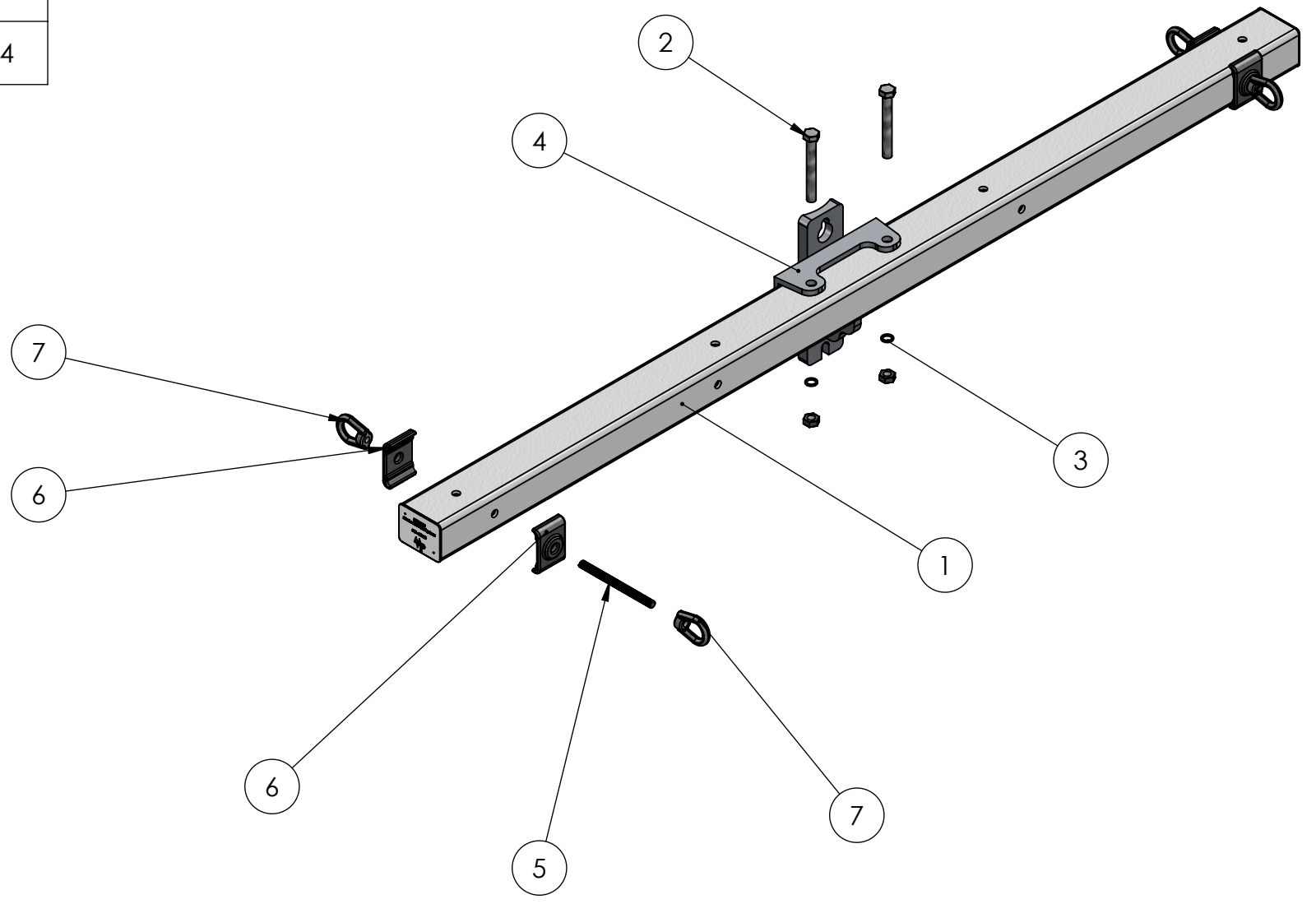



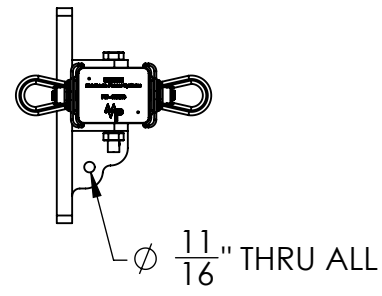
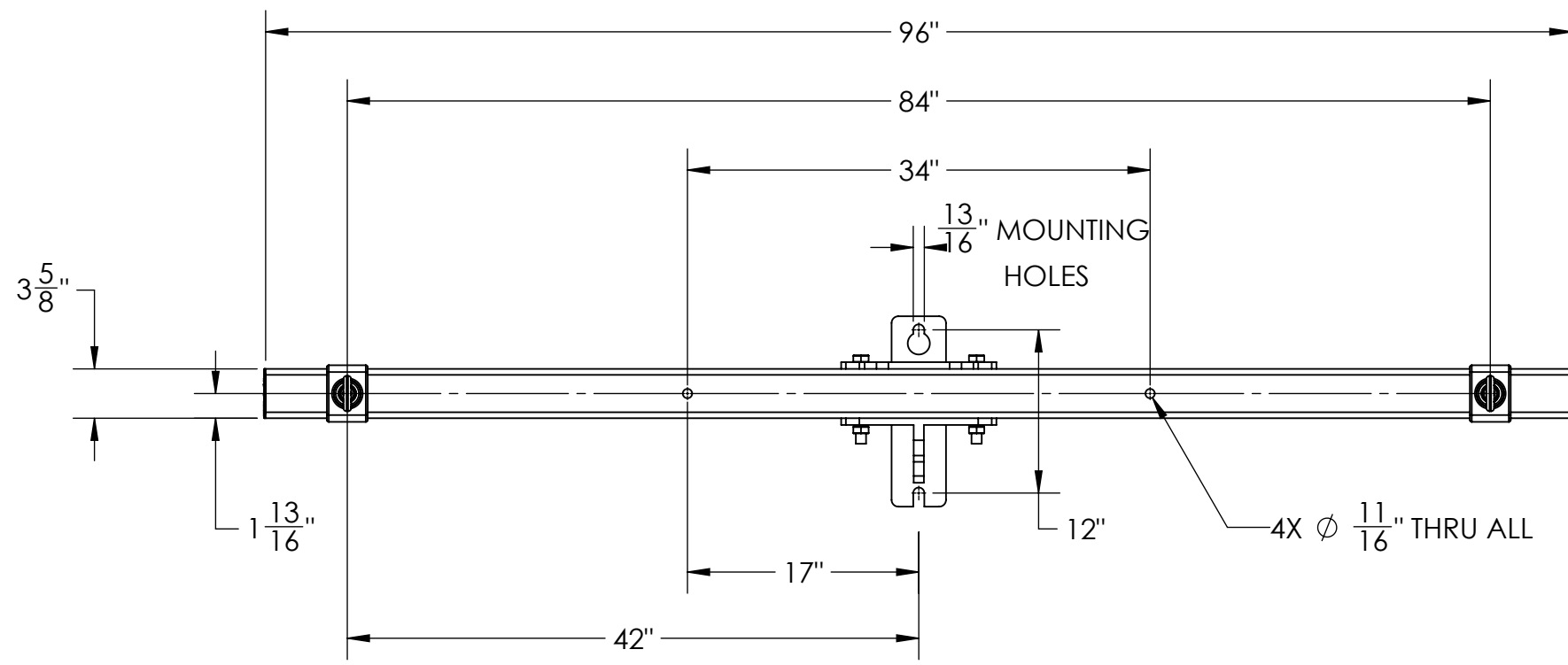
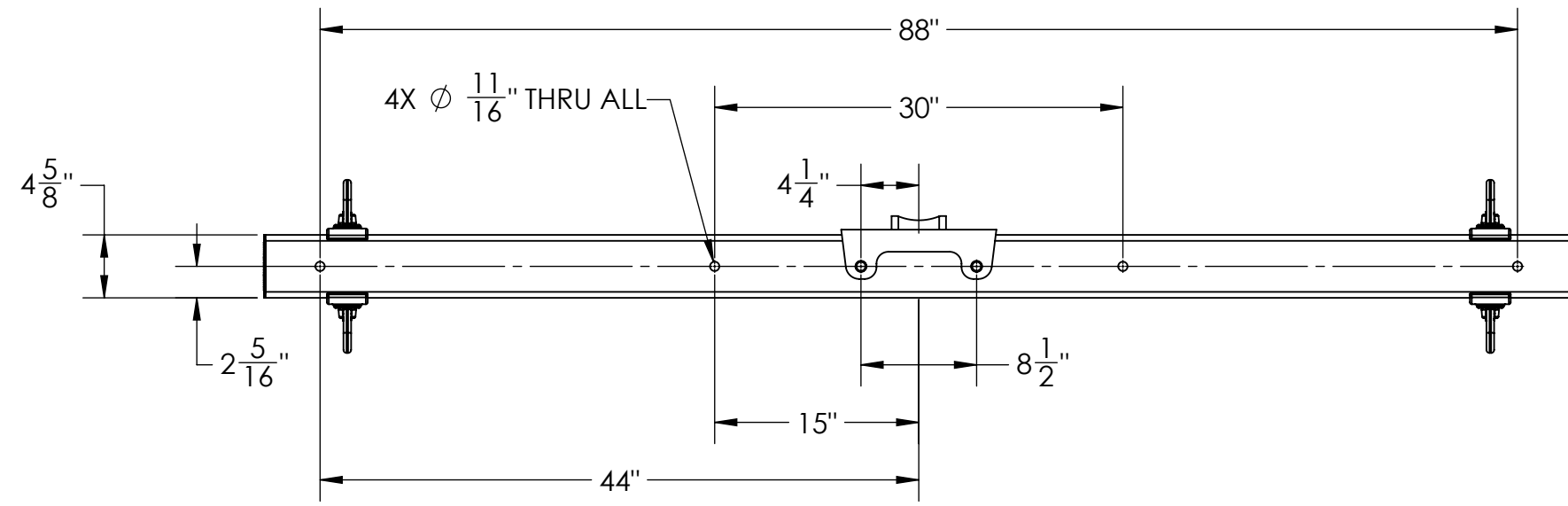
ITEM NO.	PART NUMBER	DESCRIPTION	QTY.
1	P90008W	PW FOAMED TUBE	1
2	F614574	3/4" x 6" BOLT / NUT ASSEMBLY	2
3	F338983	3/4" LOCKWASHER	2
4	P60103	SMALL PROFILE DEADEND BASE - ALUMINUM	1
5	P67578	5/8 - 11 x 8" STUD	2
6	P66000	SMALL PROFILE DEADEND PENTECH WASHER	4
7	F392614	5/8" OVAL EYE NUT	4

PAPER SIZE		DRAWING NUMBER	
B		3004-006	
REVISIONS			
REV.	ECO BY	ECO DATE	ECO NUMBER
A	KLJ	7/14/14	01132



CATALOG NUMBER: PW08LD003-2E	CUSTOMER NUMBER:	PART NUMBER: F490234	DRAWING NUMBER: 3004-006	DO NOT SCALE DRAWING
PHYSICAL PROPERTIES UNLESS OTHERWISE SPECIFIED DIMENSIONS ARE IN: INCHES		SHEET: 1 OF 2		CAD GENERATED DRAWING DO NOT MANUALLY UPDATE
		DRAWING DESCRIPTION: PW DEADEND CROSSARM 8FT		DESIGN DATE: 7/15/14
MATERIAL: FIBERGLASS	 7801 PARK PLACE RD. YORK, SC. 29745 TEL. (803) 628-2100 FAX: (803) 628-2139		DRAWN BY: KLJ	
APPROX. WEIGHT : 54 LBS			ENGINEER:	
VOLUME: IN3	TOLERANCES ARE: .XX +/- .03 .XXX +/- .015 X/XX +/- 1/32 ANGLES +/- 1°		APPROVED:	
			PRODUCT LINE: CROSSARMS	SCALE: 1:12.5

THIS DRAWING CONTAINS CONFIDENTIAL INFORMATION THAT IS THE PROPERTY OF MACLEAN POWER, L.L.C. ("MACLEAN"). USE OF MACLEAN'S CONFIDENTIAL INFORMATION WITHOUT MACLEAN'S EXPRESS WRITTEN CONSENT IS STRICTLY PROHIBITED AND MAY EXPOSE YOU TO LEGAL LIABILITY. IF YOU BELIEVE THAT YOU RECEIVED THIS MATERIAL IN ERROR, PLEASE DESTROY IT OR RETURN IT TO "MACLEAN POWER, L.L.C., 7801 PARK PLACE RD., YORK, SOUTH CAROLINA 29745, USA."



CATALOG NUMBER: PW08LD003-2E		CUSTOMER NUMBER:		PART NUMBER: F490234		DRAWING NUMBER: 3004-006		DO NOT SCALE DRAWING	
PHYSICAL PROPERTIES UNLESS OTHERWISE SPECIFIED DIMENSIONS ARE IN: INCHES				TOLERANCES ARE: .XX +/- .03 .XXX +/- .015 X/XX +/- 1/32 ANGLES +/- 1°		SHEET: 2 OF 2		CAD GENERATED DRAWING DO NOT MANUALLY UPDATE	
						DRAWING DESCRIPTION: PW DEADEND CROSSARM 8FT		DESIGN DATE: 7/15/14	
MATERIAL: FIBERGLASS		APPROX. WEIGHT : 54 LBS		VOLUME: IN3		PRODUCT LINE: CROSSARMS		DRAWN BY: KLJ	
								ENGINEER:	
								APPROVED:	
								SCALE: 1:12.5	



7801 PARK PLACE RD.
YORK, SC. 29745
TEL. (803) 628-2100 FAX: (803) 628-2139

THIS DRAWING CONTAINS CONFIDENTIAL INFORMATION THAT IS THE PROPERTY OF MACLEAN POWER, L.L.C. ("MACLEAN"). USE OF MACLEAN'S CONFIDENTIAL INFORMATION WITHOUT MACLEAN'S EXPRESS WRITTEN CONSENT IS STRICTLY PROHIBITED AND MAY EXPOSE YOU TO LEGAL LIABILITY. IF YOU BELIEVE THAT YOU RECEIVED THIS MATERIAL IN ERROR, PLEASE DESTROY IT OR RETURN IT TO "MACLEAN POWER, L.L.C., 7801 PARK PLACE RD., YORK, SOUTH CAROLINA 29745, USA."