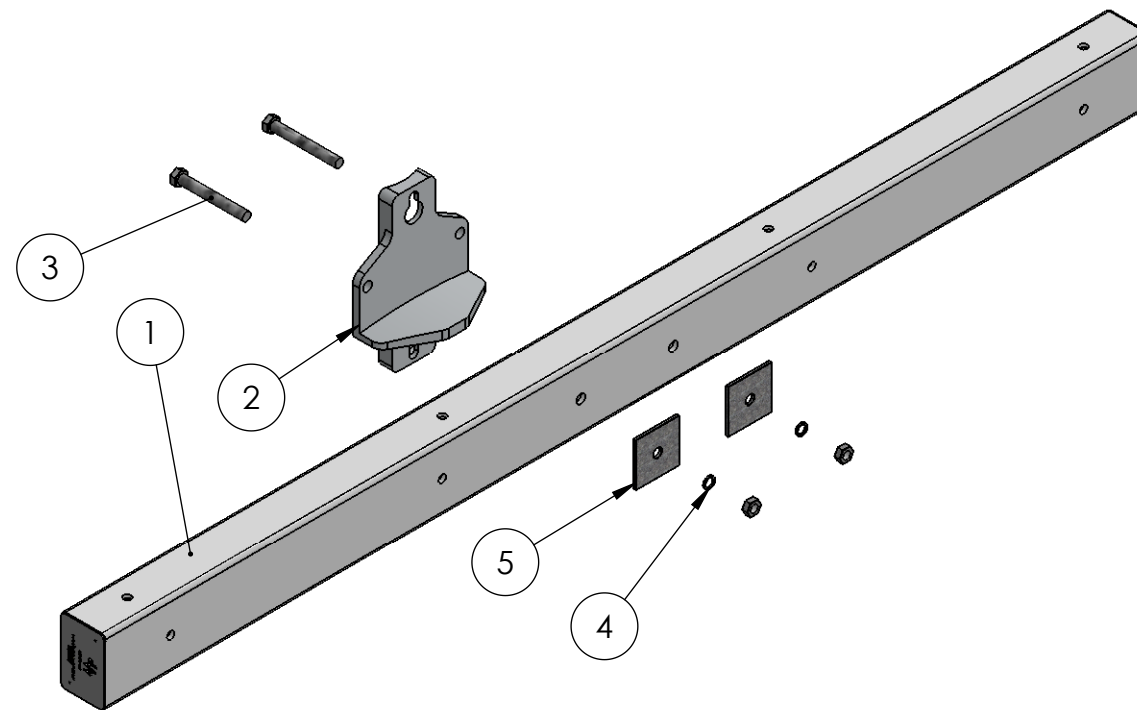



ITEM NO.	PART NUMBER	DESCRIPTION	QTY.
1	P90008Y	PY FOAMED TUBE	1
2	P61810	HEAVY DUTY DEADEND TANGENT POSITION BASE	1
3	F614574	3/4" x 6" BOLT / NUT ASSEMBLY	2
4	F338983	3/4" LOCKWASHER	2
5	P68244	4" x 4" SQUARE WASHER W/ ϕ 13/16" HOLE	2

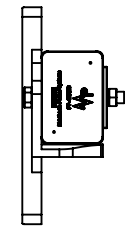
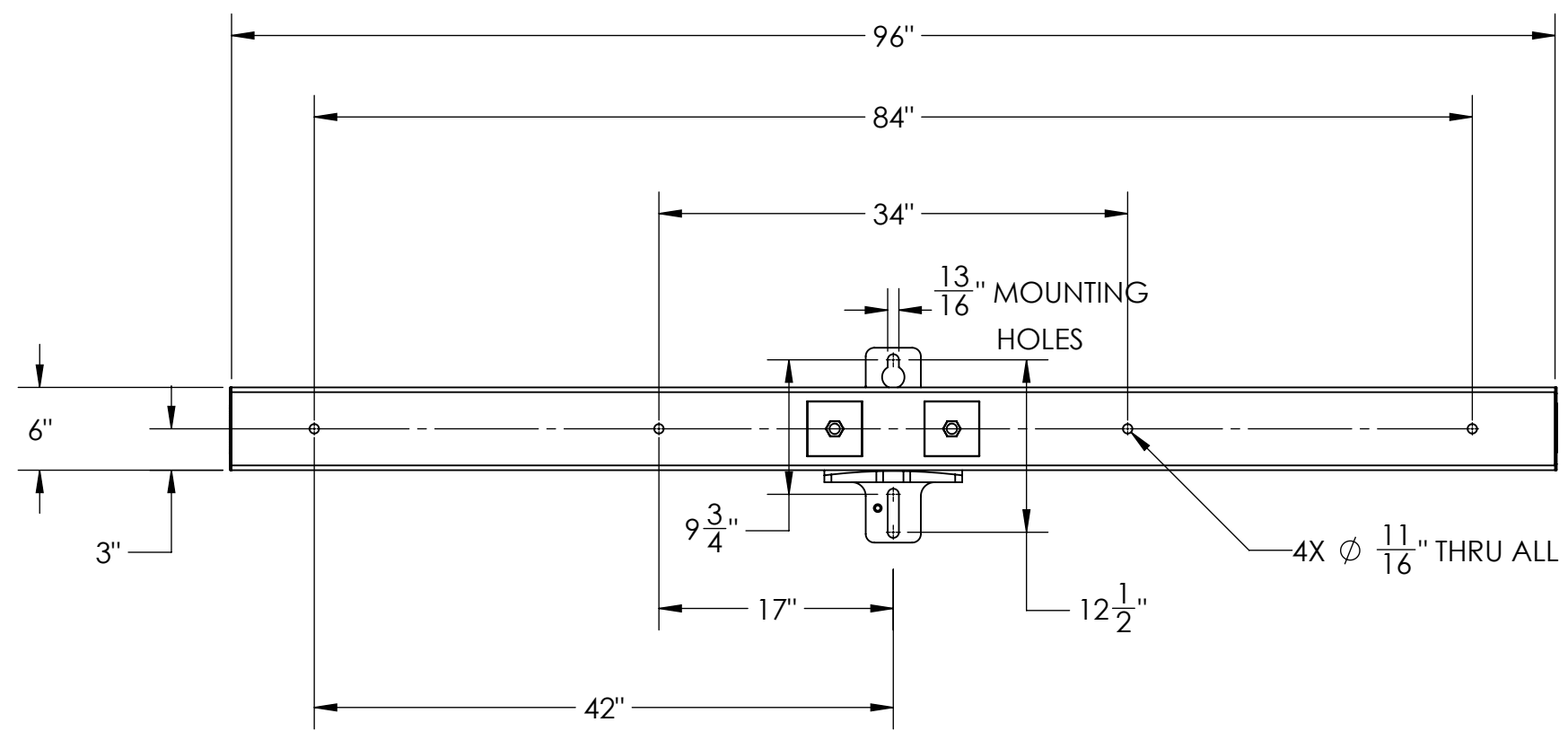
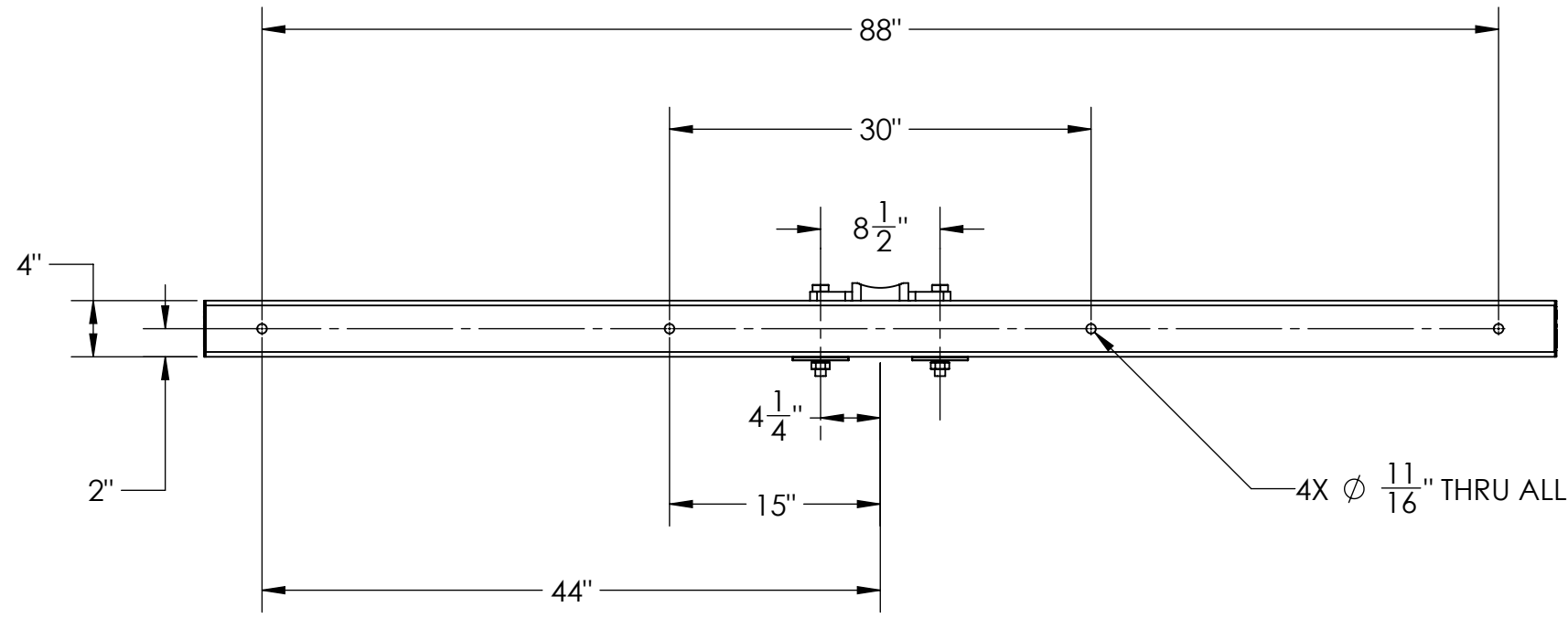
PAPER SIZE		DRAWING NUMBER	
B		3006-133	
REVISIONS			
REV.	ECO BY	ECO DATE	ECO NUMBER
A	MHK	12/10/14	01451



THIS DRAWING CONTAINS CONFIDENTIAL INFORMATION THAT IS THE PROPERTY OF MACLEAN POWER, L.L.C. ("MACLEAN"). USE OF MACLEAN'S CONFIDENTIAL INFORMATION WITHOUT MACLEAN'S EXPRESS WRITTEN CONSENT IS STRICTLY PROHIBITED AND MAY EXPOSE YOU TO LEGAL LIABILITY. IF YOU BELIEVE THAT YOU RECEIVED THIS MATERIAL IN ERROR, PLEASE DESTROY IT OR RETURN IT TO "MACLEAN POWER, L.L.C., 7801 PARK PLACE RD., YORK, SOUTH CAROLINA 29745, USA."

CATALOG NUMBER: PY08ST003	CUSTOMER NUMBER:	PART NUMBER:	DRAWING NUMBER: 3006-133	DO NOT SCALE DRAWING
PHYSICAL PROPERTIES			SHEET: 1 OF 2	CAD GENERATED DRAWING DO NOT MANUALLY UPDATE
UNLESS OTHERWISE SPECIFIED DIMENSIONS ARE IN: INCHES			DRAWING DESCRIPTION: PY TANGENT CROSSARM, 8 FT LG	DESIGN DATE: 12/10/14
MATERIAL:	FIBERGLASS	TOLERANCES ARE:	PRODUCT LINE: CROSSARMS	DRAWN BY: MHK
APPROX. WEIGHT :	57 LBS	.XX +/- .03		ENGINEER: mkadel
VOLUME:	IN3	.XXX +/- .015		APPROVED: 12/10/14
		X/XX +/- 1/32		SCALE: 1:12.5
		ANGLES +/- 1°		
		 7801 PARK PLACE RD. YORK, SC. 29745 TEL. (803) 628-2100 FAX: (803) 628-2139		

PAPER SIZE	DRAWING NUMBER
B	3006-133



CATALOG NUMBER: PY08ST003		CUSTOMER NUMBER:		PART NUMBER:		DRAWING NUMBER: 3006-133		DO NOT SCALE DRAWING	
PHYSICAL PROPERTIES		UNLESS OTHERWISE SPECIFIED DIMENSIONS ARE IN: INCHES		TOLERANCES ARE: .XX +/- .03 .XXX +/- .015 X/XX +/- 1/32 ANGLES +/- 1°		SHEET: 2 OF 2		CAD GENERATED DRAWING DO NOT MANUALLY UPDATE	
						DRAWING DESCRIPTION: PY TANGENT CROSSARM, 8 FT LG		DESIGN DATE: 12/10/14	
MATERIAL: FIBERGLASS		APPROX. WEIGHT : 57 LBS		VOLUME: IN3		PRODUCT LINE: CROSSARMS		DRAWN BY: MHK	
								ENGINEER: mkadel	
								APPROVED: 12/10/14	
								SCALE: 1:12.5	

THIS DRAWING CONTAINS CONFIDENTIAL INFORMATION THAT IS THE PROPERTY OF MACLEAN POWER, L.L.C. ("MACLEAN"). USE OF MACLEAN'S CONFIDENTIAL INFORMATION WITHOUT MACLEAN'S EXPRESS WRITTEN CONSENT IS STRICTLY PROHIBITED AND MAY EXPOSE YOU TO LEGAL LIABILITY. IF YOU BELIEVE THAT YOU RECEIVED THIS MATERIAL IN ERROR, PLEASE DESTROY IT OR RETURN IT TO "MACLEAN POWER, L.L.C., 7801 PARK PLACE RD., YORK, SOUTH CAROLINA 29745, USA."