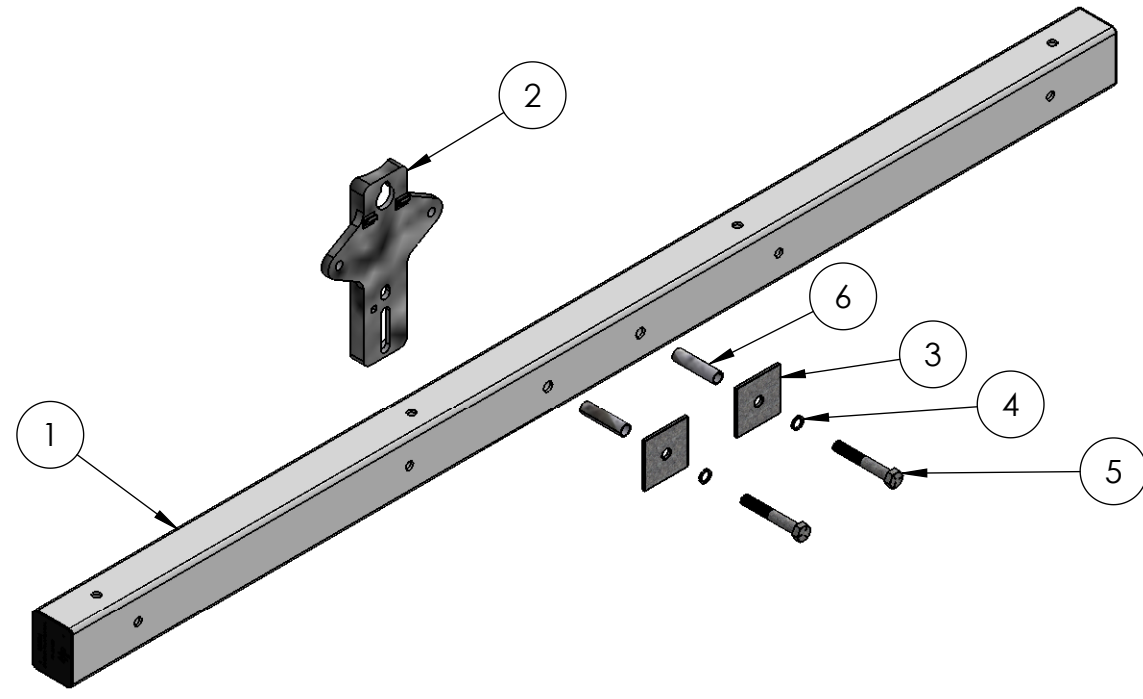


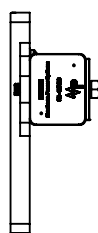
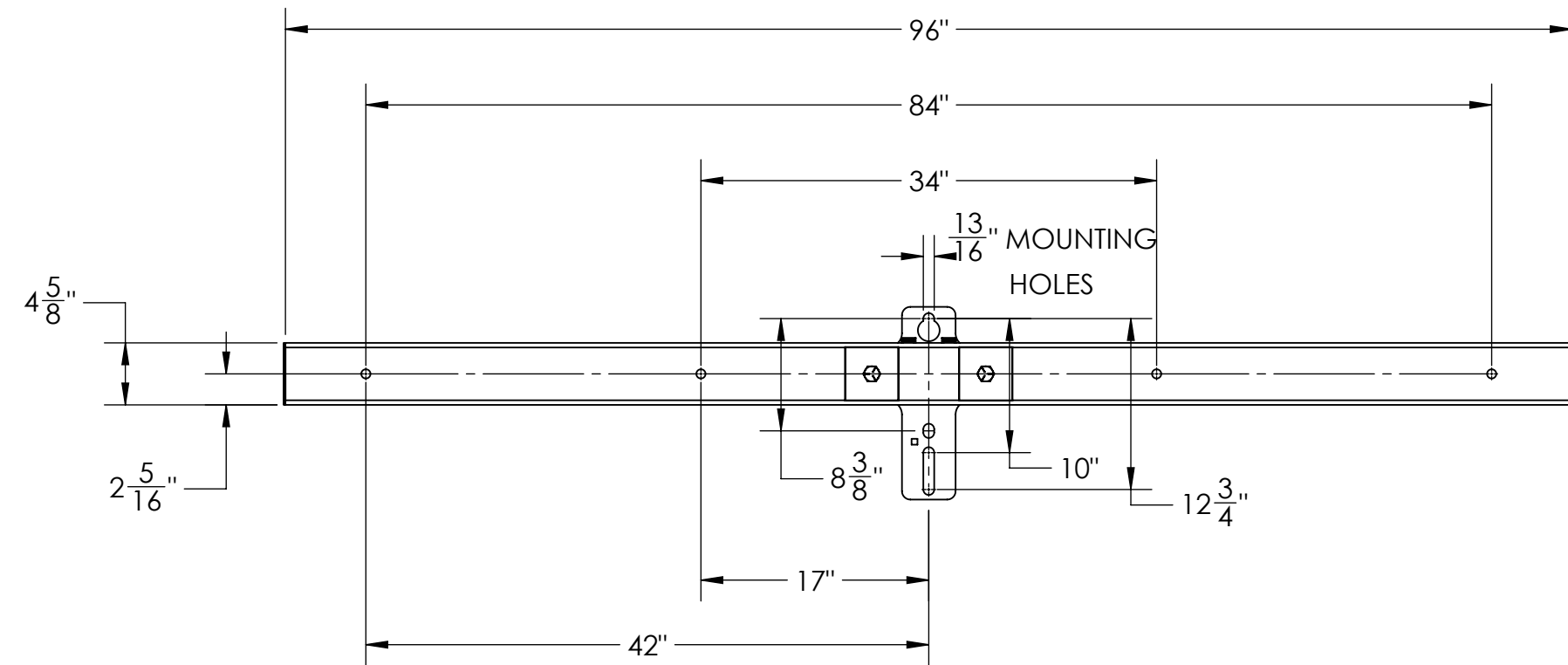
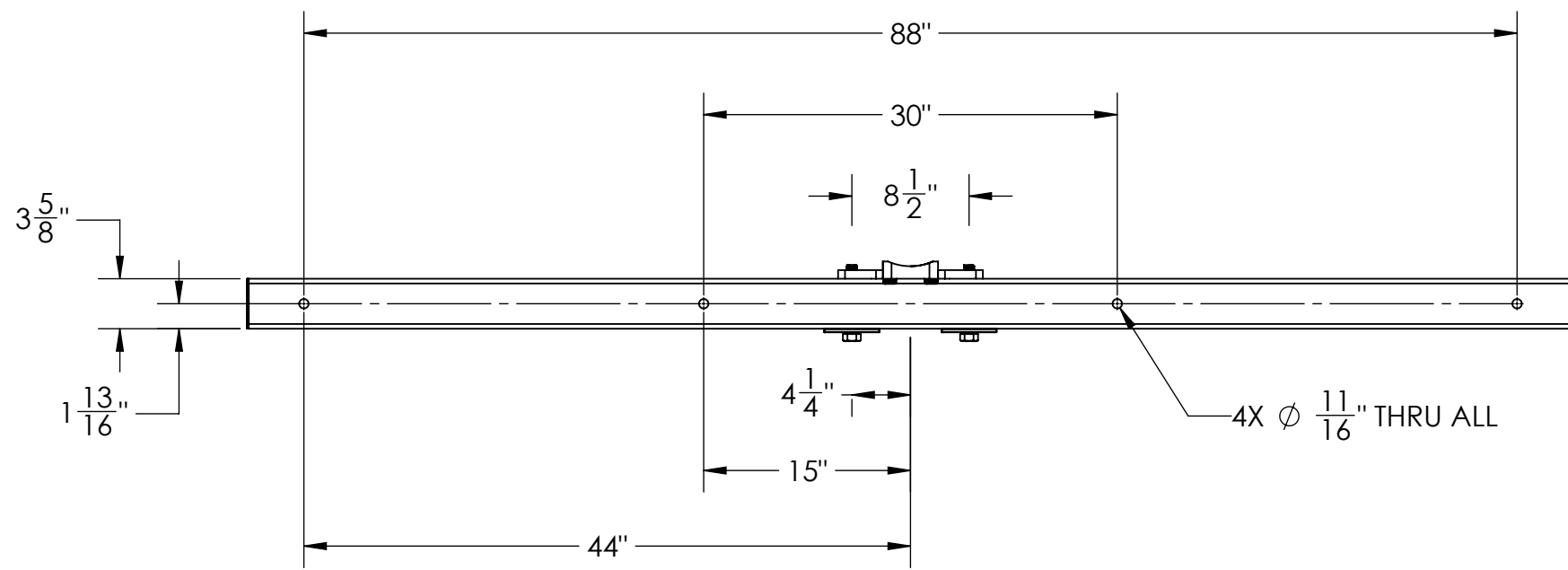
ITEM NO.	PART NUMBER	DESCRIPTION	QTY.
1	P90008X	FOAMED TUBE	1
2	P61342	HEAVY DUTY TANGENT BASE DRILLED & TAPPED	1
3	P68244	4" x 4" SQUARE WASHER W/ ϕ 13/16" HOLE	2
4	F338983	3/4" LOCKWASHER	2
5	P55909	3/4" - 10 x 5" GRADE 5 HEX HEAD BOLT	2
6	P23050	3/4" ID x 3 3/4" LONG SPACER TUBES	2

PAPER SIZE		DRAWING NUMBER	
B		3010-006	
REVISIONS			
REV.	ECO BY	ECO DATE	ECO NUMBER
A	MHK	11/17/14	01415



THIS DRAWING CONTAINS CONFIDENTIAL INFORMATION THAT IS THE PROPERTY OF MACLEAN POWER, L.L.C. ("MACLEAN"). USE OF MACLEAN'S CONFIDENTIAL INFORMATION WITHOUT MACLEAN'S EXPRESS WRITTEN CONSENT IS STRICTLY PROHIBITED AND MAY EXPOSE YOU TO LEGAL LIABILITY. IF YOU BELIEVE THAT YOU RECEIVED THIS MATERIAL IN ERROR, PLEASE DESTROY IT OR RETURN IT TO "MACLEAN POWER, L.L.C., 7801 PARK PLACE RD., YORK, SOUTH CAROLINA 29745, USA."

CATALOG NUMBER: PS08ST003	CUSTOMER NUMBER:	PART NUMBER:	DRAWING NUMBER: 3010-006	DO NOT SCALE DRAWING
PHYSICAL PROPERTIES UNLESS OTHERWISE SPECIFIED DIMENSIONS ARE IN: INCHES TOLERANCES ARE: .XX +/- .03 .XXX +/- .015 X/XX +/- 1/32 ANGLES +/- 1°			SHEET: 1 OF 2	CAD GENERATED DRAWING DO NOT MANUALLY UPDATE
			DRAWING DESCRIPTION: PS TANGENT CROSSARM, 8 FT LG	DESIGN DATE: 11/17/14
MATERIAL: FIBERGLASS	APPROX. WEIGHT : 40 LBS	VOLUME: IN3	PRODUCT LINE: CROSSARMS	DRAWN BY: MHK
MACLEAN POWER SYSTEMS 7801 PARK PLACE RD. YORK, SC. 29745 TEL. (803) 628-2100 FAX: (803) 628-2139			APPROVED: 11/17/14	ENGINEER: mkadel
			SCALE: 1:12.5	



CATALOG NUMBER: PS08ST003		CUSTOMER NUMBER:		PART NUMBER:		DRAWING NUMBER: 3010-006		DO NOT SCALE DRAWING	
PHYSICAL PROPERTIES				UNLESS OTHERWISE SPECIFIED DIMENSIONS ARE IN: INCHES		SHEET: 2 OF 2		CAD GENERATED DRAWING DO NOT MANUALLY UPDATE	
				TOLERANCES ARE:		DRAWING DESCRIPTION: PS TANGENT CROSSARM, 8 FT LG		DESIGN DATE: 11/17/14	
MATERIAL: FIBERGLASS		.XX +/- .03		.XXX +/- .015		DRAWN BY: MHK		ENGINEER: mkadel	
APPROX. WEIGHT : 40 LBS		X/XX +/- 1/32		X/XXX +/- 1°		APPROVED: 11/17/14		SCALE: 1:12.5	
VOLUME: IN3		ANGLES +/- 1°		TEL. (803) 628-2100 FAX: (803) 628-2139		PRODUCT LINE: CROSSARMS			

THIS DRAWING CONTAINS CONFIDENTIAL INFORMATION THAT IS THE PROPERTY OF MACLEAN POWER, L.L.C. ("MACLEAN"). USE OF MACLEAN'S CONFIDENTIAL INFORMATION WITHOUT MACLEAN'S EXPRESS WRITTEN CONSENT IS STRICTLY PROHIBITED AND MAY EXPOSE YOU TO LEGAL LIABILITY. IF YOU BELIEVE THAT YOU RECEIVED THIS MATERIAL IN ERROR, PLEASE DESTROY IT OR RETURN IT TO "MACLEAN POWER, L.L.C., 7801 PARK PLACE RD., YORK, SOUTH CAROLINA 29745, USA."



7801 PARK PLACE RD.
YORK, SC. 29745