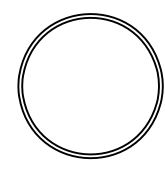
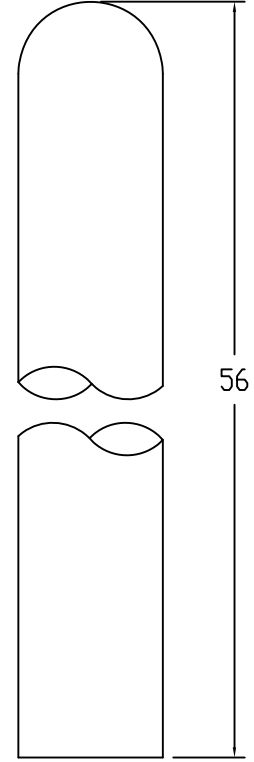
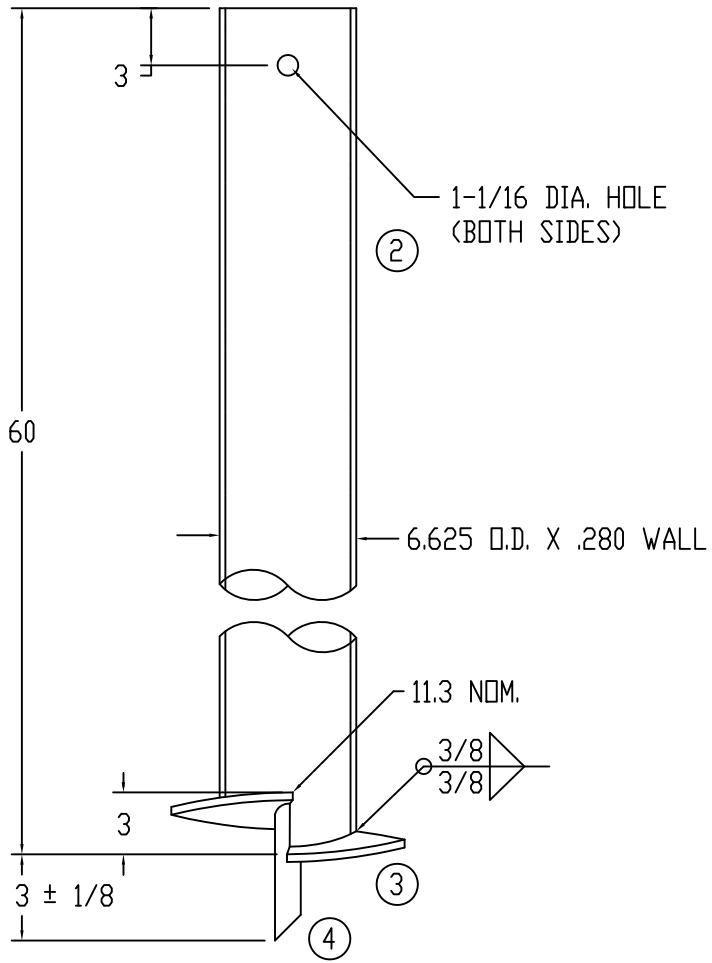


This information is confidential and is the property of Maclean Power Systems. It may not be made public or reproduced except that the Customer may make copies for use solely in installation, maintenance, and operation of products supplied by Maclean Power Systems.

NO.



BOLLARD SLEEVE - HDPE  
LAB SAFETY #:  
161612Y (YELLOW)

NOTES :

1. HOT DIP GALV PER ASTM A153, AFTER FABRICATION.
2. PILE IS DESIGNED TO WITHSTAND 10,000 FT-LBS OF INSTALLATION TORQUE.

NO.	DATE	DESCRIPTION	BY	CKD
REVISIONS				

**MACLEAN POWER SYSTEMS**  
A Maclean-fogg Company

PIPE BOLLARD W/ SLEEVE

CATALOG NO: F06060BOLLARD

DATE: 4/15/10	SCALE: NONE	NO. A-2764	R/0 SH._ OF _
DWN. BY: MW	CKD. BY:	APR. BY:	