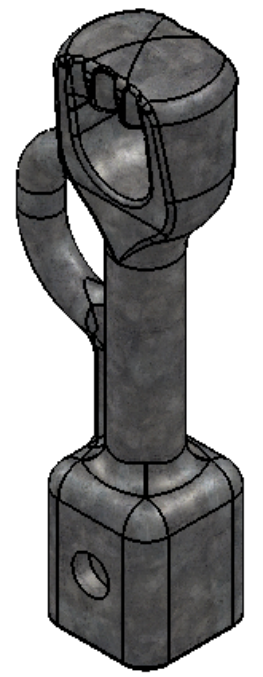
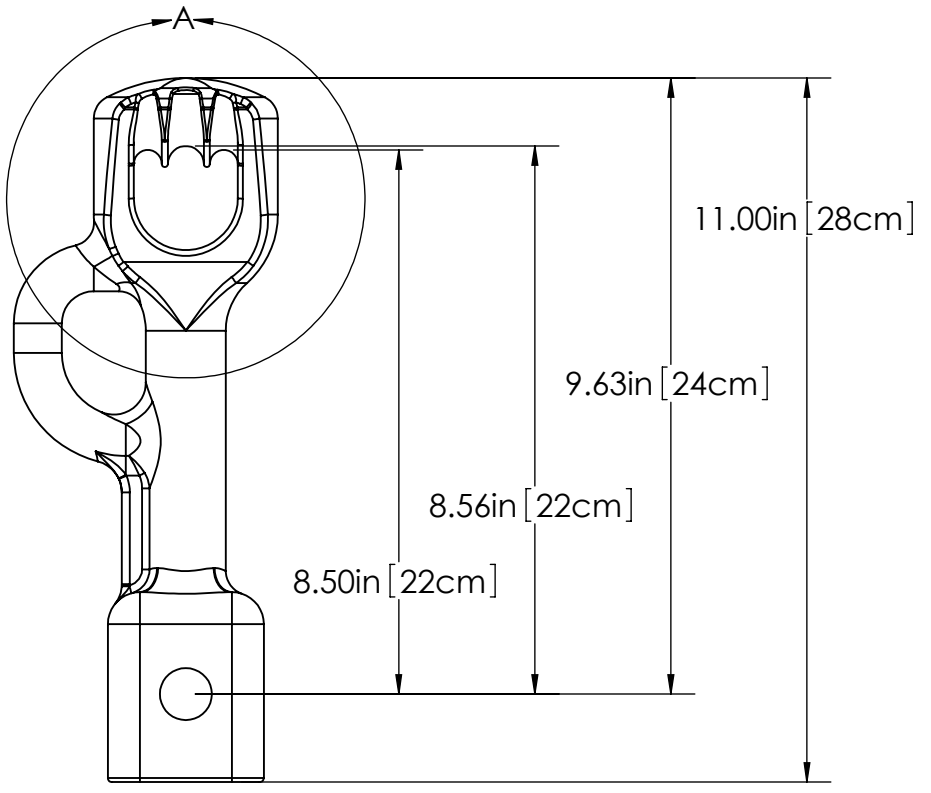
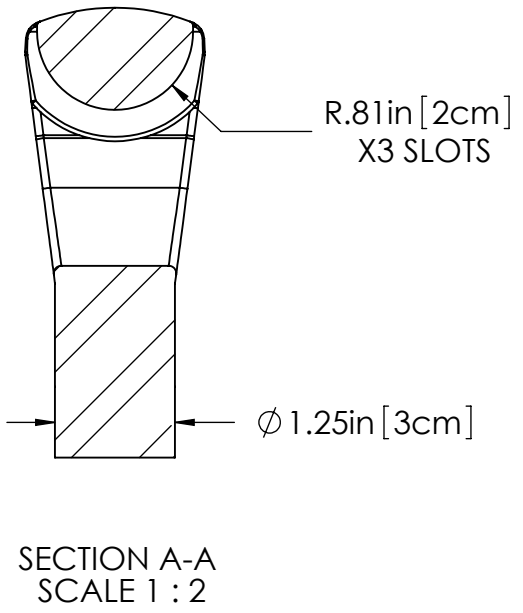
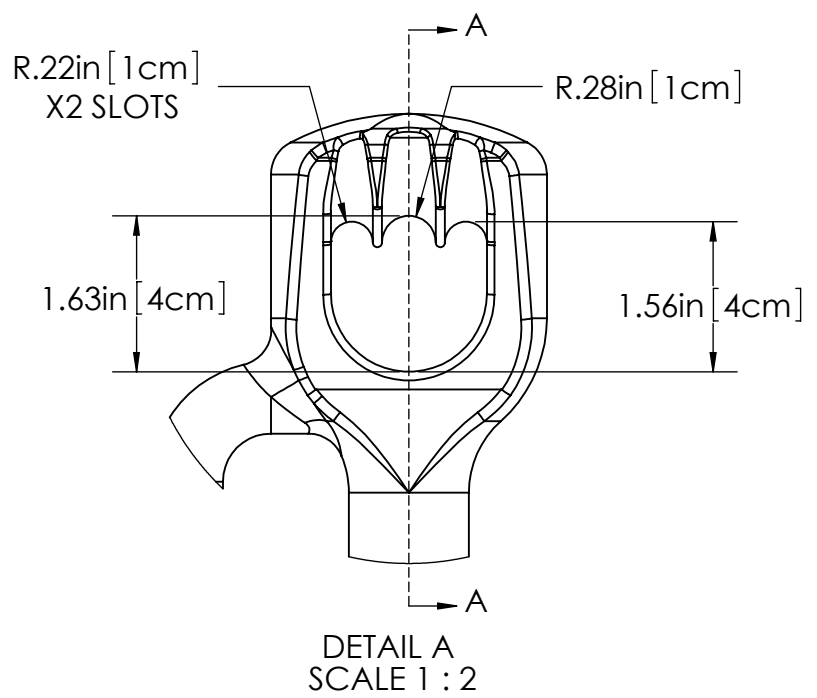


PAPER SIZE	CATALOG NUMBER
<b>B</b>	D6606US



**NOTES:**

1. HOT DIP GALVANIZE PER ASTM A123 AFTER FABRICATION.
2. 100 KIP [445,000 N] ULTIMATE TENSILE RATING.

This drawing contains confidential information that is the property of MacLean Power, L.L.C. ("MacLean"). Use of MacLean's confidential information without MacLean's express written consent is strictly prohibited and may expose you to legal liability. If you believe that you received this material in error, please destroy it or return it to "MacLean Power, L.L.C., 11411 Addison Street, Franklin Park, Illinois 60131, "USA."



DRAWING NUMBER: D6606US	
SHEET NAME: SHEET1	1 OF 1
PRODUCT DESCRIPTION 1-1/2" TRIPLE GUY EYE ATTACHMENT	
DRAWN BY: CRL	DATE: 7/21/11