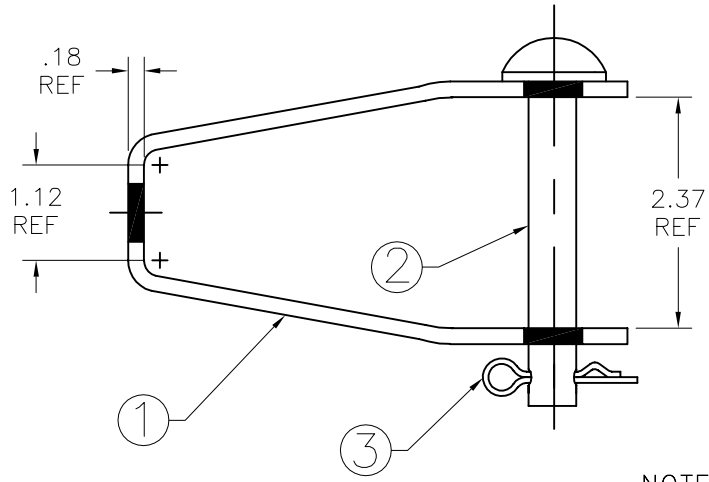
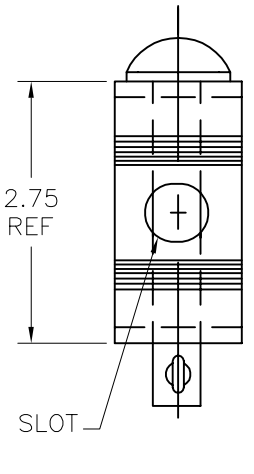
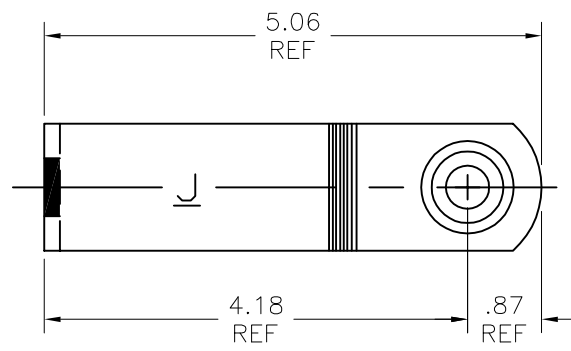


A | B | C | D | E | F

PAPER SIZE		DRAWING NUMBER	
B SIZE		GD-J0313	
REV	REVISION DATE	ECO	
A	09-23-09	9718	

1
2
3
4



ITEM	QUANTITY	DESCRIPTION
1	1	.18 X 1.50 CLEVIS BODY
2	1	.50 X 3.12 COTTER BOLT
3	1	SELF LOCKING COTTER PIN

NOTES:
 1) ALL DIMENSIONS ARE REFERENCE AND ARE IN INCHES.
 2) ITEMS ① AND ② ONLY HOT DIP GALVANIZED.

CATALOG NUMBER J0313

This drawing contains confidential information that is the property of MacLean Power, L.L.C. ("MacLean"). Use of MacLean's confidential information without MacLean's express written consent is strictly prohibited and may expose you to legal liability. If you believe that you received this material in error, please destroy it or return it to "MacLean Power, L.L.C., 11411 Addison, Franklin Park, Illinois 60131, USA."

F614941

DRAWING-COMPUTER LOCATION:

TOLERANCES UNLESS SPECIFIED	
inch	
0.XX	— — —
0.XXX	— — —
ANGLE	— — —



DRAWN BY	ENGINEER	CHECKER	CATALOG #	SCALE	DESIGN DATE
RC	DEK	FJS	J0313	---	09-23-09
DRAWING TITLE / DESCRIPTION					DRAWING NUMBER
CLEVIS					GD-J0313

Form: 00_Eblue / 03-22-05