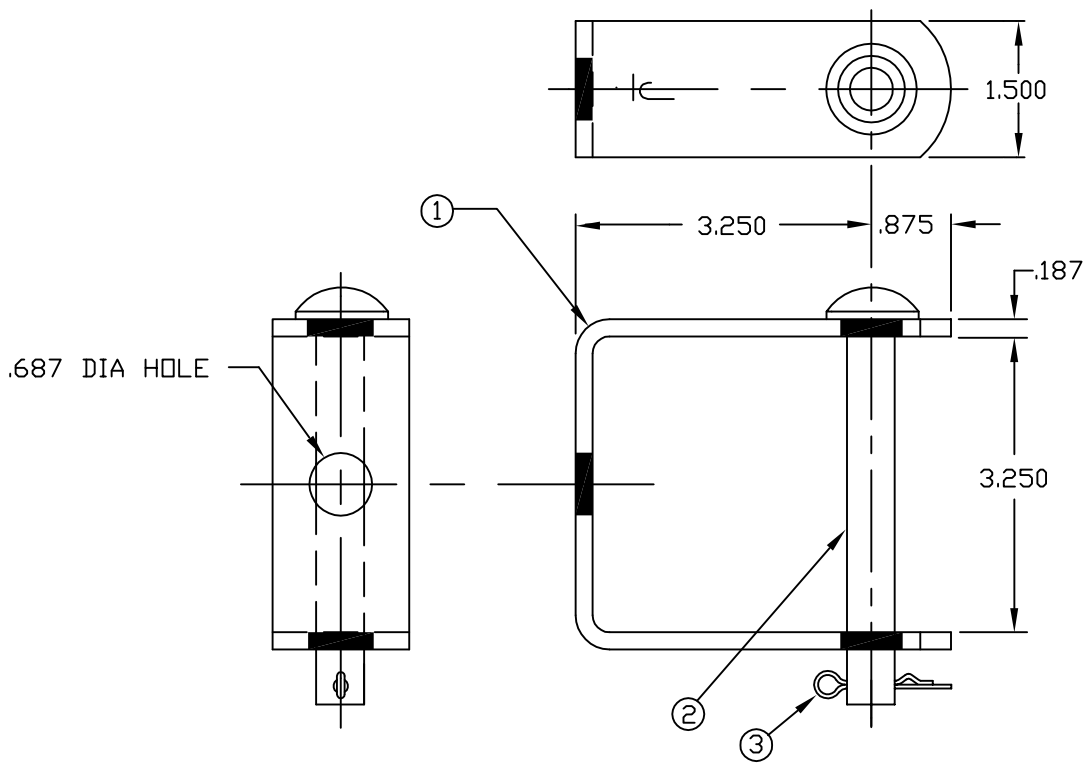


A | B | C | D | E | F

PAPER SIZE	DRAWING NUMBER	
B SIZE	GD-J1394	
REV	REVISION DATE	ECO
A	05/05/09	9489

1
2
3
4



ITEM	QTY	DESCRIPTION
1	1	.187 X 1.500 CLEVIS BODY
2	1	.625 X 4.500 BUTTON HEAD BOLT
3	1	SELF-LOCKING SS COTTER PIN

NOTES:

- 1) ALL DIMENSIONS ARE REFERENCE AND ARE IN INCHES EXCEPT AS NOTED.
- 2) ALL ITEMS EXCEPT COTTER PIN ARE GALVANIZED FINISH.

CATALOG NUMBER J1394

This drawing contains confidential information that is the property of MacLean Power, L.L.C. ("MacLean"). Use of MacLean's confidential information without MacLean's express written consent is strictly prohibited and may expose you to legal liability. If you believe that you received this material in error, please destroy it or return it to "MacLean Power, L.L.C., 11411 Addison, Franklin Park, Illinois 60131, USA."

DRAWING-COMPUTER LOCATION:
DRAWING-COMPUTER LOCATION:

TOLERANCES UNLESS SPECIFIED	
INCH	
0.XX	---
0.XXX	---
ANGLE	---



DRAWN BY	ENGINEER	CHECKER	CATALOG #	SCALE	DESIGN DATE
RC	FJS	FJS	J1394	---	05/05/09
DRAWING TITLE / DESCRIPTION					DRAWING NUMBER
CLEVIS					GD-J1394