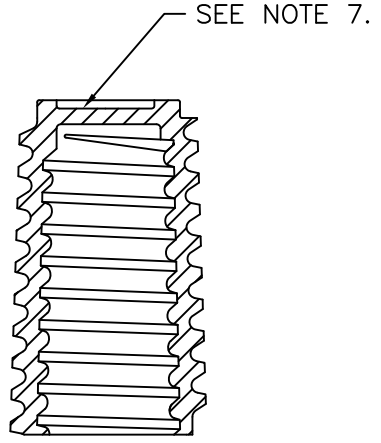
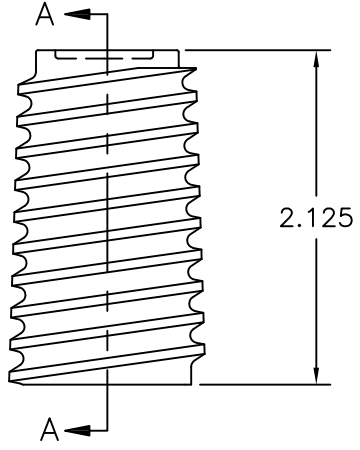


A | B | C | D | E | F

PAPER SIZE		DRAWING NUMBER	
B SIZE		GD-J4023	
REV	REVISION DATE	ECO	
A	07-05-12	10658	



SECTION A-A



**NOTES:**

- 1) MATERIAL: CAST LEAD
- 2) O.D. STANDARD 1.375 LEAD THREAD  
I.D. STANDARD 1.000 THREAD
- 3) ALL DIMENSIONS ARE IN INCHES.
- 4) PARTS PACKAGED IN PROTECTIVE SLEEVES.
- 5) VENDOR IDENTIFICATION MARK ON SURFACE SHOWN.

This drawing contains confidential information that is the property of MacLean Power, L.L.C. ("MacLean"). Use of MacLean's confidential information without MacLean's express written consent is strictly prohibited and may expose you to legal liability. If you believe that you received this material in error, please destroy it or return it to "MacLean Power, L.L.C., 11411 Addison, Franklin Park, Illinois 60131, USA."

DRAWING-COMPUTER LOCATION

TOLERANCES UNLESS SPECIFIED	
MEASURE	
0.XX	— — —
0.XXX	— — —
ANGLE	— — —



11411 ADDISON STREET  
FRANKLIN PARK, IL 60131

DRAWN BY	ENGINEER	CHECKER	CATALOG #	SCALE	DESIGN DATE
RRL	RRL	JBB	J4023	NTS	07-05-12
DRAWING TITLE / DESCRIPTION					DRAWING NUMBER
ADAPTER-THIMBLE					GD-J4023