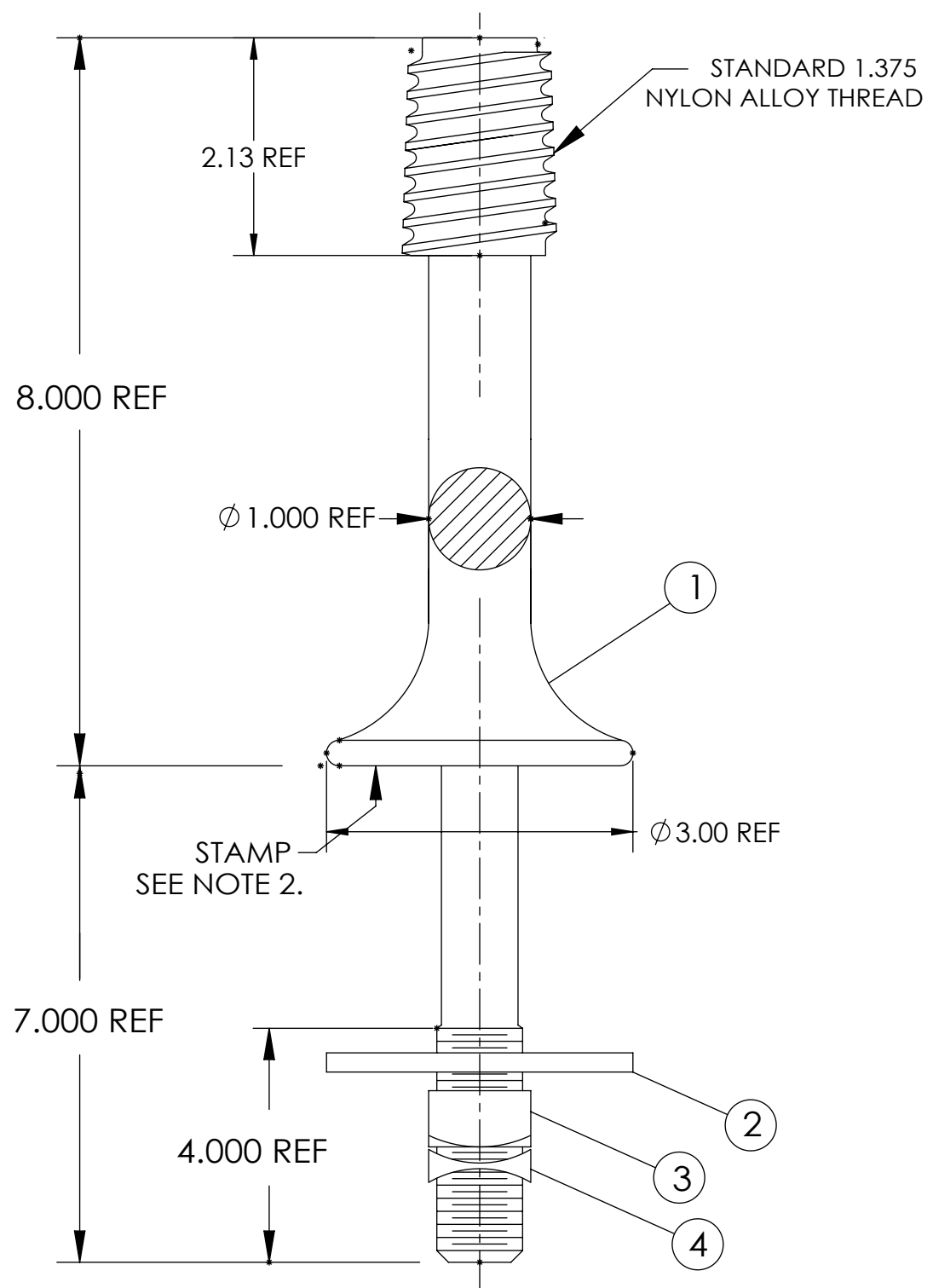


PAPER SIZE		CATALOG NUMBER	
B		GD-J608Z	
REV	REVISED BY	REVISION DATE	ECO #
A	JAA	08-21-15	11937
B	MB	7-17-17	D8627



- NOTES:**
1. ALL DIMENSIONS ARE REFERENCE AND IN INCHES, EXCEPT AS NOTED
 2. MANUFACTURER'S IDENTIFICATION MARK ("J" STAMP) AND YEAR OF MANUFACTURE IN LOCATION SHOWN
 3. GALVANIZED PER ASTM A-153

ITEM	QTY	DESCRIPTION	MATERIAL
1	1	STEEL PIN BODY	GALV STEEL AND NYLON
2	1	3.00 X 3.00 X .187 SQ. WASHER	GALV STEEL
3	1	.750 REG SQUARE NUT	GALV STEEL
4	1	.750 SQUARE M-F LOCKNUT	GALV STEEL

CATALOG NO.
J608Z

This drawing contains confidential information that is the property of MacLean Power, L.L.C. ("MacLean"). Use of MacLean's confidential information without MacLean's express written consent is strictly prohibited and may expose you to legal liability. If you believe that you received this material in error, please destroy it or return it to "MacLean Power, L.L.C., 481 Munn Rd, Suite 300, Fort Mill, SC 29715 USA."

**MACLEAN
POWER
SYSTEMS**

WWW.MACLEANPOWER.COM

DRAWING NUMBER:		GD-J608Z	
SHEET NAME:		Sheet1	
		1 OF 1	
DRAWING DESCRIPTION:			
PIN X ARM W/NA THD			
DRAWN BY: JAA		DESIGN DATE: 08-21-15	