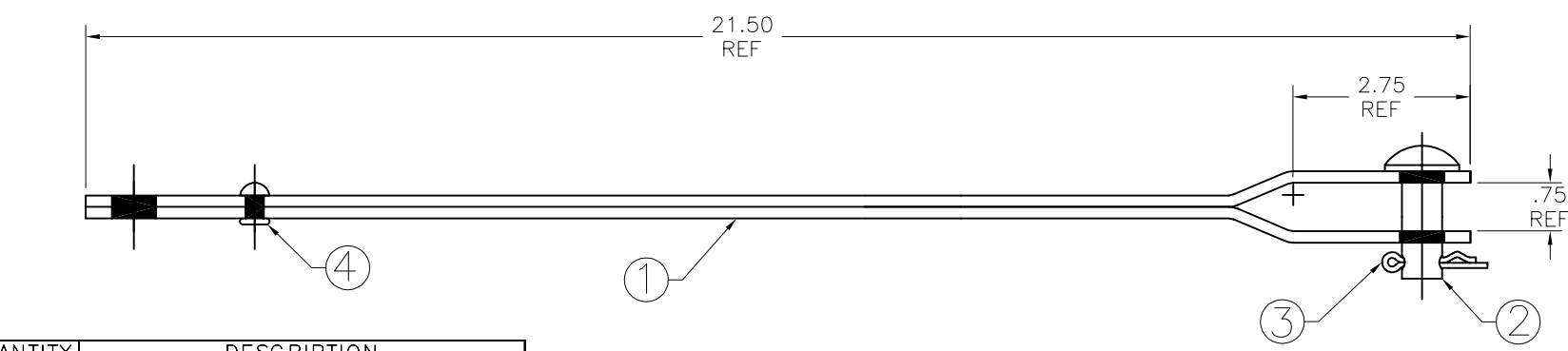
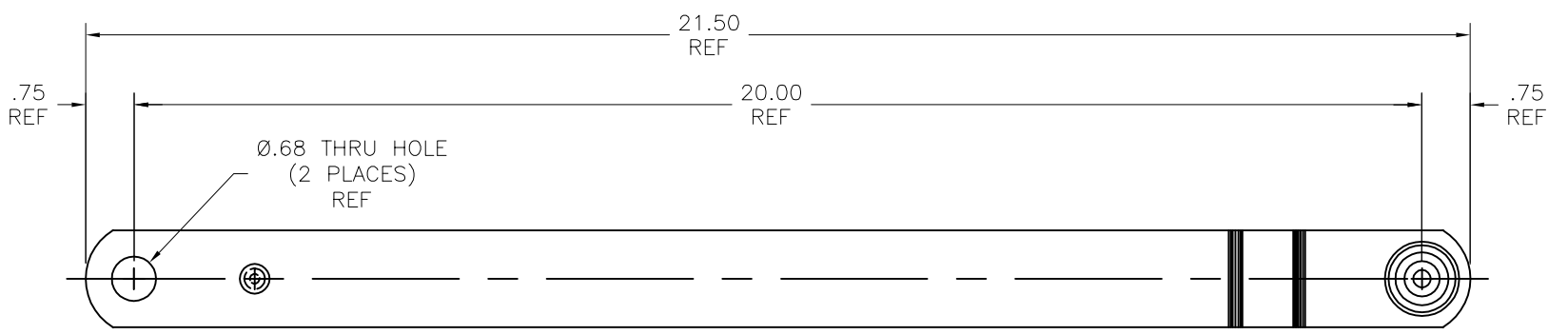


A | B | C | D | E | F

PAPER SIZE	DRAWING NUMBER	
B SIZE	GD-J6659	
REV	REVISION DATE	ECO
A	09-23-09	9733



ITEM	QUANTITY	DESCRIPTION
1	2	.18 X 1.50 EXTENSION LINK
2	1	.62 X 1.62 BUTTON HEAD BOLT
3	1	SELF-LOCKING COTTER PIN
4	1	.24 X .75 STAINLESS STEEL RIVET

NOTES:
 1) ALL DIMENSIONS ARE REFERENCE AND ARE IN INCHES.
 2) ITEMS ① RIVETED TOGETHER AFTER GALVANIZING.
 3) ITEMS ① AND ② ONLY HOT DIP GALVANIZED.

CATALOG NUMBER J6659

This drawing contains confidential information that is the property of MacLean Power, L.L.C. ("MacLean"). Use of MacLean's confidential information without MacLean's express written consent is strictly prohibited and may expose you to legal liability. If you believe that you received this material in error, please destroy it or return it to "MacLean Power, L.L.C., 11411 Addison, Franklin Park, Illinois 60131, USA."

F102411

DRAWING-COMPUTER LOCATION

TOLERANCES UNLESS SPECIFIED	
inch	
0.XX	— — —
0.XXX	— — —
ANGLE	— — —



DRAWN BY	ENGINEER	CHECKER	CATALOG #	SCALE	DESIGN DATE
RC	DEK	FJS	J6659	---	09-23-09
DRAWING TITLE / DESCRIPTION					DRAWING NUMBER
LINK EXTENSION					GD-J6659