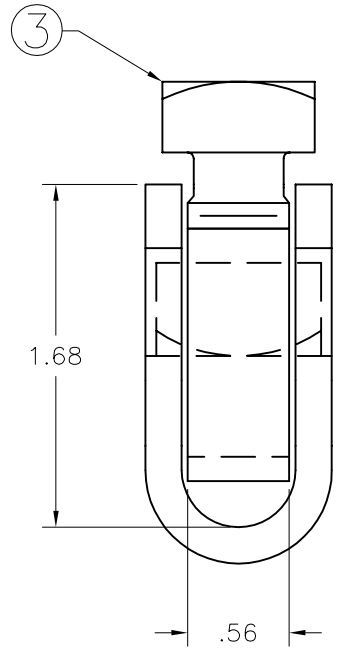
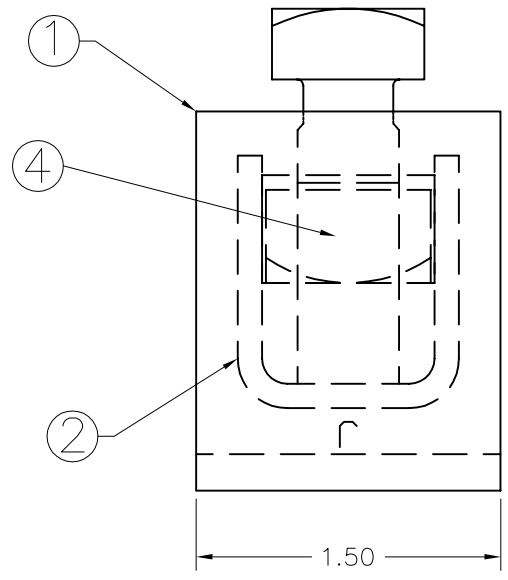


A | B | C | D | E | F

PAPER SIZE	DRAWING NUMBER	
B SIZE	GD-J7956	
REV	REVISION DATE	ECO
A	09-11-09	9641



ITEM	QUANTITY	DESCRIPTION
1	1	U-CLAMP SECTION BODY
2	1	U-KEEPER SECTION BODY
3	1	.500 X 1.500 MACHINE BOLT
4	1	.500 REGULAR SQUARE NUT

NOTES:
 1) ALL DIMENSIONS ARE REFERENCE AND ARE IN INCHES.
 2) ALL ITEMS HOT DIP GALVANIZED.

CATALOG NUMBER J7956

This drawing contains confidential information that is the property of MacLean Power, L.L.C. ("MacLean"). Use of MacLean's confidential information without MacLean's express written consent is strictly prohibited and may expose you to legal liability. If you believe that you received this material in error, please destroy it or return it to "MacLean Power, L.L.C., 11411 Addison, Franklin Park, Illinois 60131, USA."

F614729

DRAWING-COMPUTER LOCATION:
 DRAWING-COMPUTER LOCATION:

TOLERANCES UNLESS SPECIFIED	
inch	
0.XX	— — —
0.XXX	— — —
ANGLE	— — —



DRAWN BY	ENGINEER	CHECKER	CATALOG #	SCALE	DESIGN DATE
RC	RRL	FJS	J7956	---	09-11-09
DRAWING TITLE / DESCRIPTION					DRAWING NUMBER
CLAMP GROUND					GD-J7956