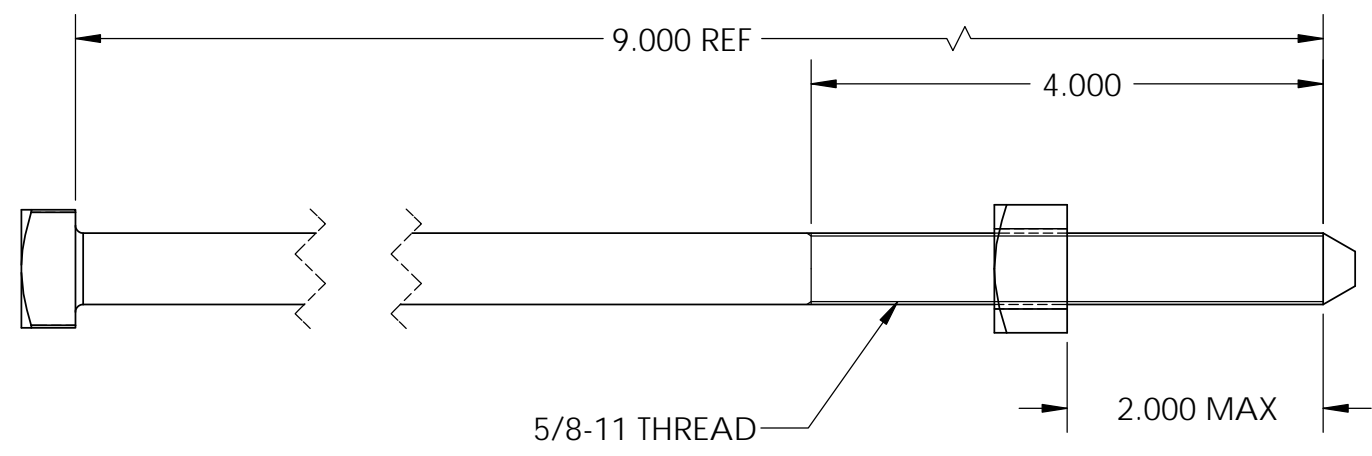
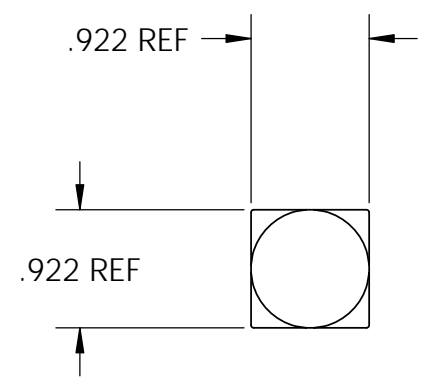


PAPER SIZE		DRAWING NUMBER	
B		GD-J8809	
REV	REVISED BY	REVISION DATE	ECO #
A	PDR	10-05-12	10722



- NOTES:**
1. MATERIAL: HOT ROLLED CARBON STEEL
 2. ALL DIMENSIONS ARE REFERENCE AND ARE IN INCHES.
 3. ALL ITEMS ARE HOT DIP GALVANIZED PER ASTM A153.
 4. MINIMUM TENSILE STRENGTH: 13,550 LBS.

This drawing contains confidential information that is the property of MacLean Power, L.L.C. ("MacLean"). Use of MacLean's confidential information without MacLean's express written consent is strictly prohibited and may expose you to legal liability. If you believe that you received this material in error, please destroy it or return it to "MacLean Power, L.L.C., 11411 Addison Street, Franklin Park, Illinois 60131, "USA."

UNLESS OTHERWISE SPECIFIED DIMENSIONS ARE IN: INCHES	
TOLERANCES ARE:	
.XX	±.XX
.XXX	±.XXX
X/XX	±X/XX
ANGLES	±XXX°

CATALOG NO. J8809

**MACLEAN
POWER
SYSTEMS**
11411 ADDISON STREET
FRANKLIN PARK, IL. 60131
TEL. (847) 455-0014 FAX: (847) 455-0029

PART NO. F614633		DRAWING NUMBER: GD-J8809		DO NOT SCALE DRAWING	
SHEET NAME: Sheet1		1 OF 1		CAD GENERATED DRAWING DO NOT MANUALLY UPDATE	
DRAWING DESCRIPTION: BOLT MACH 5/8 X 9		DRAWING SCALE: 1:1		DESIGN DATE: 10/05/12	
DRAWN BY:		PDR		ENGINEER:	
APPROVED:		JBB		RRL	