

MPS Catalog Number

H2 9C 20 023 MX SS 012

Date 7/14/2014

_____ End Fittings _____

Tower End Fitting: Gain / 12 deg / Ductile Iron

Line End Fitting Trunnion / Galv. Ductile Iron

_____ Material _____

Corona Ring (Line) None

Corona Rings are recommended for applications of 230 kV and above

Mounting Angle 12

Number of Sheds 12

Rod Diameter 2.5 in

Weight Estimate 45.8 lbs 21 kg

_____ Dimensional Values _____

Section Length (L): 35.1 in 891 mm

Rubber Length (X): 23 in

Shed spacing (S): 2.0 in 50 mm

Shed Projection (P): 1.6 in 41 mm

Dry Arc Distance 25.6 in 649 mm

Leakage Distance 63.8 in 1620 mm

_____ Electricals Values _____

60 Hz dry Flashover 254 kV Min. Withstand 239 kV

60 Hz Wet Flashover 232 kV Min. Withstand 179 kV

Pos. Critical Impulse Flashover 432 kV Min. Withstand 387 kV

Neg. Critical Impulse Flashover 527 kV Min. Withstand 421 kV

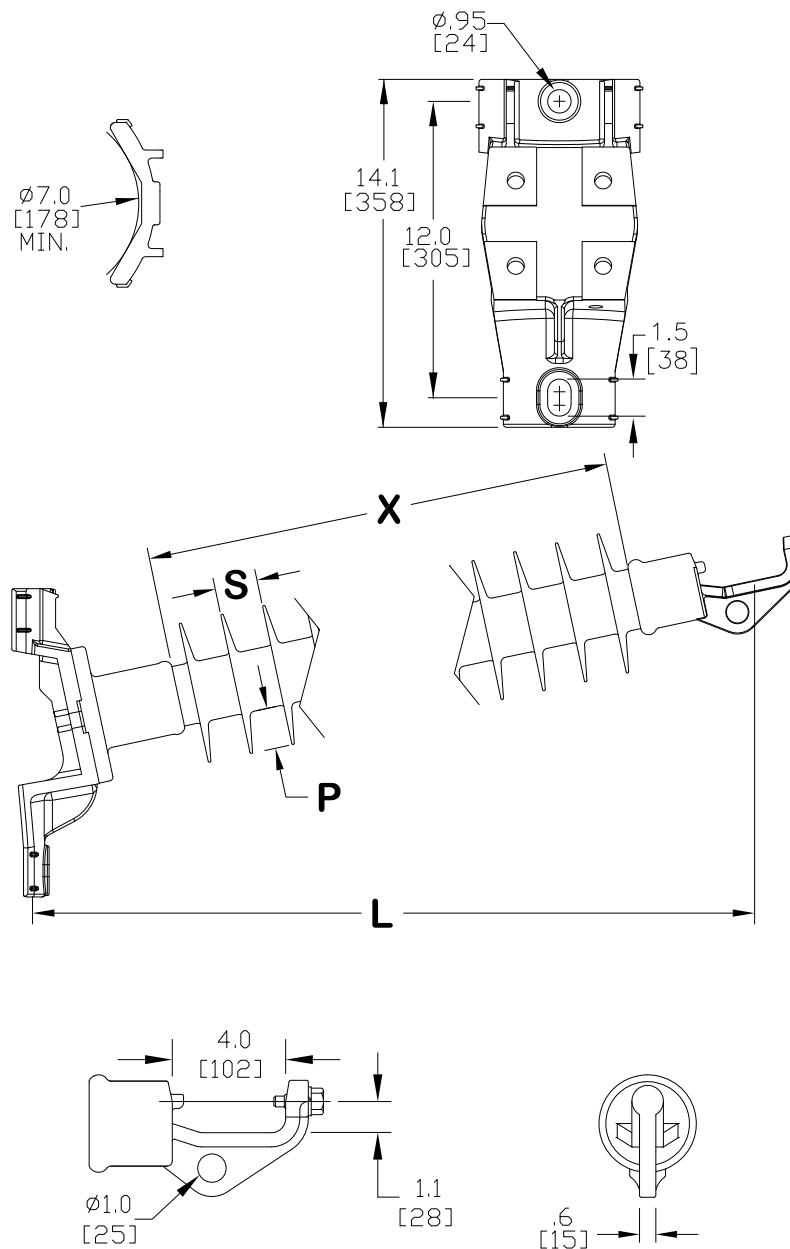
_____ Mechanical Values _____

Max. Design Cant. Load (MDCL) 2,500 lbs 11.1 kN

Specified Cant. Load (SCL) 5,000 lbs 22.2 kN

Specified Tensile Load (STL) 5,000 lbs 22.2 kN

This drawing contains confidential information that is the property of MacLean Power, L.L.C. ("MacLean"). Use of MacLean's confidential information without MacLean's express written consent is strictly prohibited and may expose you to legal liability. If you believe that you received this material in error, please destroy it or return it to "MacLean Power, L.L.C., 7801 Park Place Rd., York, South Carolina 29745, USA."



Dimension: inches [millimeters]

NOTE: Drawing not actual depiction of insulator appearance

Silicone Rubber Sheath & Sheds. Complies with applicable ANSI and IEC standards.