

MPS Catalog Number

**H2 9C 20 043 MX SS 022**

Date 7/14/2014

\_\_\_\_\_ End Fittings \_\_\_\_\_

Tower End Fitting: \_\_\_\_\_ Gain / 12 deg / Ductile Iron

Line End Fitting \_\_\_\_\_ 5" Bolt Circle / Galv. Ductile Iron  
Trunnion / Galv. Ductile Iron

\_\_\_\_\_ Material \_\_\_\_\_

Corona Ring (Line) \_\_\_\_\_ None

Corona Rings are recommended for applications of 230 kV and above

Mounting Angle \_\_\_\_\_ 12

Number of Sheds \_\_\_\_\_ 22

Rod Diameter \_\_\_\_\_ 2.5 in

Weight Estimate \_\_\_\_\_ 57.1 lbs \_\_\_\_\_ 26 kg

\_\_\_\_\_ Dimensional Values \_\_\_\_\_

Section Length (L): \_\_\_\_\_ 54.7 in 1388 mm

Rubber Length (X): \_\_\_\_\_ 43 in

Shed spacing (S): \_\_\_\_\_ 2.0 in 50 mm

Shed Projection (P): \_\_\_\_\_ 1.6 in 41 mm

Dry Arc Distance \_\_\_\_\_ 45.1 in 1145 mm

Leakage Distance \_\_\_\_\_ 116.7 in 2965 mm

\_\_\_\_\_ Electricals Values \_\_\_\_\_

60 Hz dry Flashover \_\_\_\_\_ 429 kV \_\_\_\_\_ Min. Withstand \_\_\_\_\_ 403 kV

60 Hz Wet Flashover \_\_\_\_\_ 398 kV \_\_\_\_\_ Min. Withstand \_\_\_\_\_ 313 kV

Pos. Critical Impulse Flashover \_\_\_\_\_ 742 kV \_\_\_\_\_ Min. Withstand \_\_\_\_\_ 662 kV

Neg. Critical Impulse Flashover \_\_\_\_\_ 809 kV \_\_\_\_\_ Min. Withstand \_\_\_\_\_ 701 kV

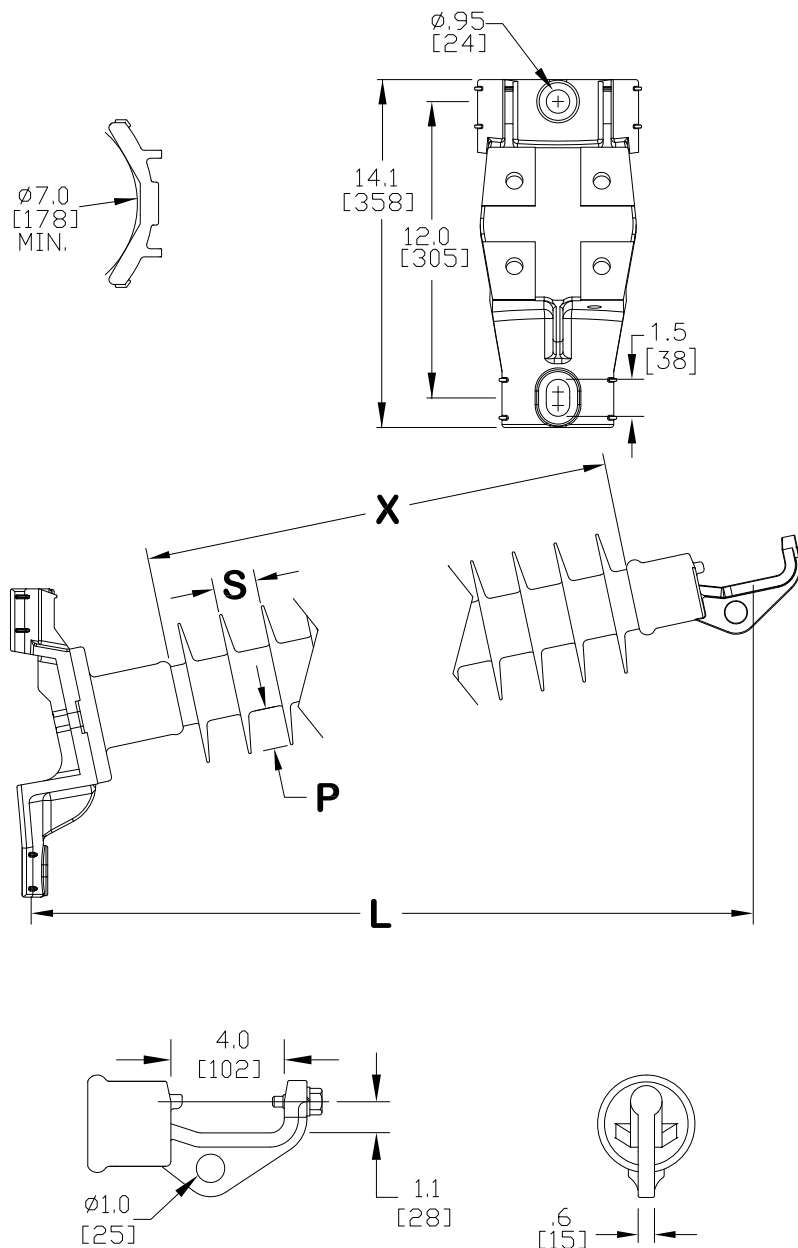
\_\_\_\_\_ Mechanical Values \_\_\_\_\_

Max. Design Cant. Load (MDCL) \_\_\_\_\_ 1,731 lbs \_\_\_\_\_ 7.7 kN

Specified Cant. Load (SCL) \_\_\_\_\_ 3,462 lbs \_\_\_\_\_ 15.4 kN

Specified Tensile Load (STL) \_\_\_\_\_ 5,000 lbs \_\_\_\_\_ 22.2 kN

This drawing contains confidential information that is the property of MacLean Power, L.L.C. ("MacLean"). Use of MacLean's confidential information without MacLean's express written consent is strictly prohibited and may expose you to legal liability. If you believe that you received this material in error, please destroy it or return it to "MacLean Power, L.L.C., 7801 Park Place Rd., York, South Carolina 29745, USA."



Dimension: inches [millimeters]

NOTE: Drawing not actual depiction of insulator appearance

Silicone Rubber Sheath & Sheds. Complies with applicable ANSI and IEC standards.