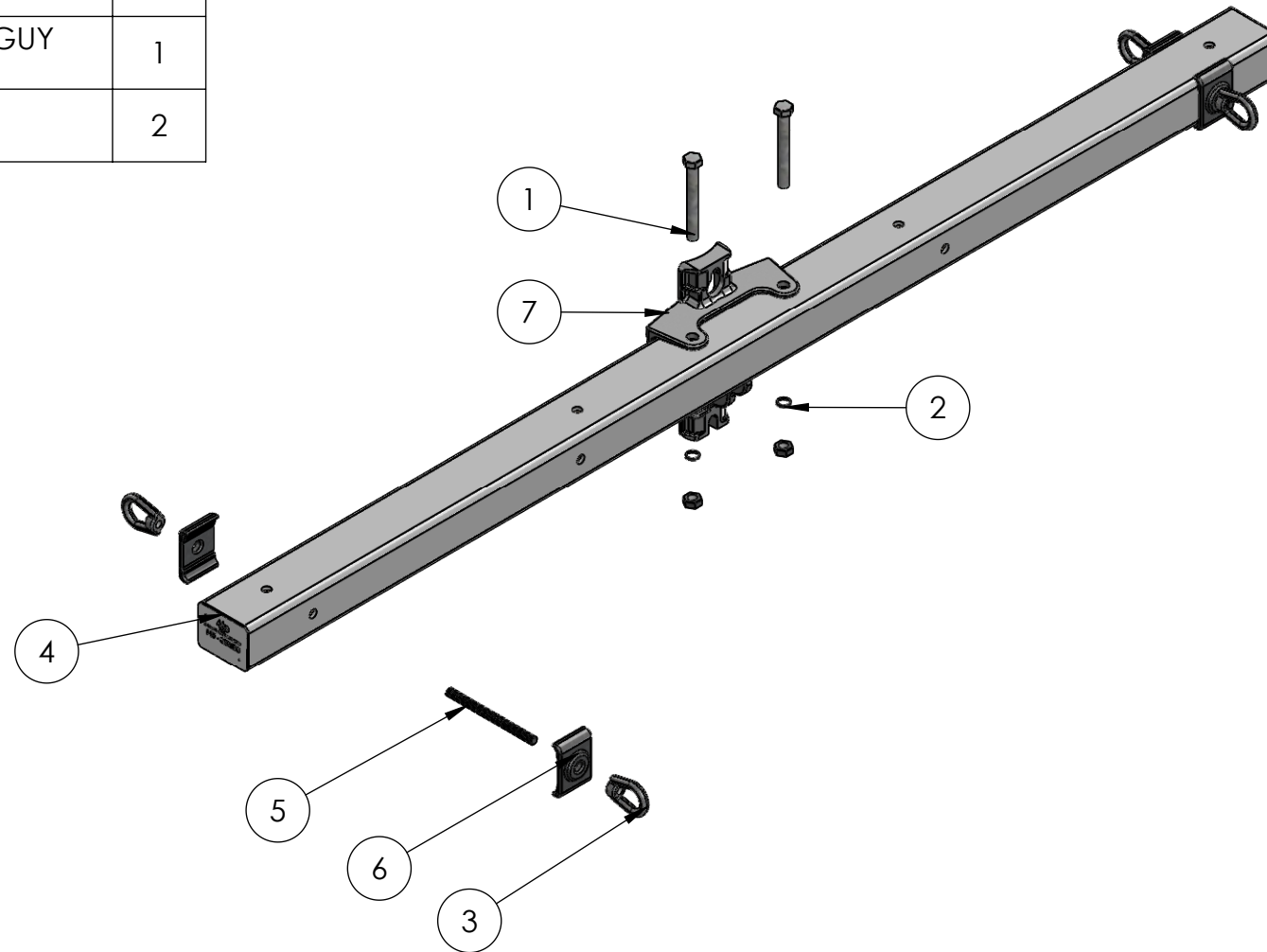



ITEM NO.	PART NUMBER	DESCRIPTION	QTY.
1	P42120	3/4" x 6" BOLT	2
2	F338983	3/4" LOCKWASHER	2
3	F392614	5/8" OVAL EYE NUT	4
4	P80008H	PH FOAMED TUBE,96" LG	1
5	P67578	5/8 - 11 x 8" STUD	2
6	P66000	STD 5/8" CROSSARM WASHER, SMALL PROFILE	4
7	P69206	LD DEADEND BASE, IRON, W/TWO GUY HOLES	1
8	P42223	3/4 - 10 HEX NUT	2

PAPER SIZE		DRAWING NUMBER	
B		3015-011	
REVISIONS			
REV.	ECO BY	ECO DATE	ECO NUMBER
A	PNR	2/19/19	03448



THIS DRAWING CONTAINS CONFIDENTIAL INFORMATION THAT IS THE PROPERTY OF MACLEAN POWER, L.L.C. ("MACLEAN"). USE OF MACLEAN'S CONFIDENTIAL INFORMATION WITHOUT MACLEAN'S EXPRESS WRITTEN CONSENT IS STRICTLY PROHIBITED AND MAY EXPOSE YOU TO LEGAL LIABILITY. IF YOU BELIEVE THAT YOU RECEIVED THIS MATERIAL IN ERROR, PLEASE DESTROY IT OR RETURN IT TO "MACLEAN POWER, L.L.C., 7801 PARK PLACE RD., YORK, SOUTH CAROLINA 29745, USA."

CATALOG NUMBER: PH08SD003-2E (A)		CUSTOMER NUMBER:	PART NUMBER:	DRAWING NUMBER: 3015-011	DO NOT SCALE DRAWING
PHYSICAL PROPERTIES		UNLESS OTHERWISE SPECIFIED DIMENSIONS ARE IN: INCHES		SHEET: 1 OF 2	CAD GENERATED DRAWING DO NOT MANUALLY UPDATE
		TOLERANCES ARE: XX +/- 1/4 X/XX +/- 1/32 ANGLES +/- 1°		DRAWING DESCRIPTION: PH DEADEND CROSSARM, 8 FT LG, SD IRON BASE, TWO GUY HOLES	DESIGN DATE: 4/4/18
MATERIAL:		 7801 PARK PLACE RD. YORK, SC. 29745 TEL. (803) 628-2100 FAX: (803) 628-2139		PRODUCT LINE: CROSSARMS	DRAWN BY: PNR
APPROX. WEIGHT :	80 LBS			APPROVED: 02/19/19	
VOLUME:	IN3			SCALE: 1:12	

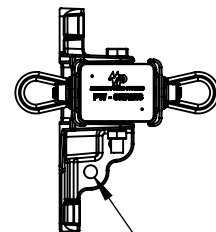
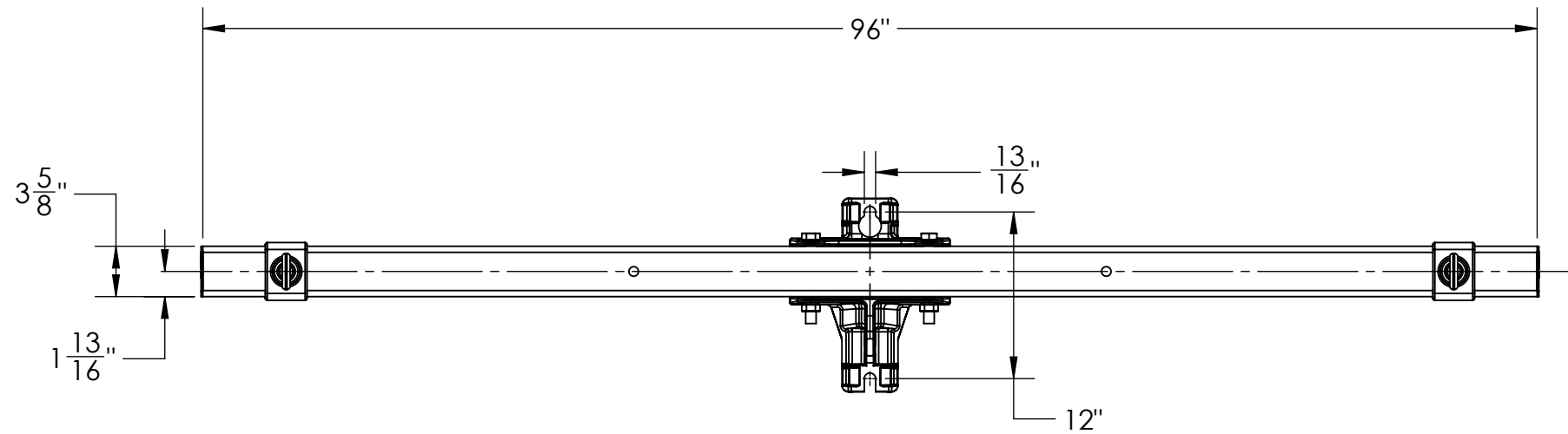
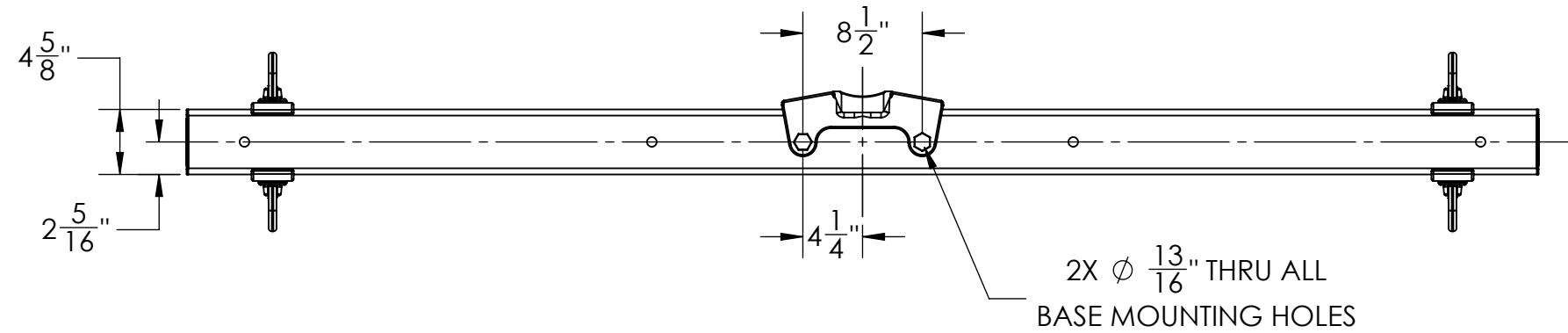
PAPER SIZE	DRAWING NUMBER
B	3015-011

D

C

B

A



2X Ø 13/16" THRU ALL

THIS DRAWING CONTAINS CONFIDENTIAL INFORMATION THAT IS THE PROPERTY OF MACLEAN POWER, L.L.C. ("MACLEAN"). USE OF MACLEAN'S CONFIDENTIAL INFORMATION WITHOUT MACLEAN'S EXPRESS WRITTEN CONSENT IS STRICTLY PROHIBITED AND MAY EXPOSE YOU TO LEGAL LIABILITY. IF YOU BELIEVE THAT YOU RECEIVED THIS MATERIAL IN ERROR, PLEASE DESTROY IT OR RETURN IT TO "MACLEAN POWER, L.L.C., 7801 PARK PLACE RD., YORK, SOUTH CAROLINA 29745, USA."

CATALOG NUMBER: PH08SD003-2E		CUSTOMER NUMBER:		PART NUMBER:		DRAWING NUMBER: 3015-011		DO NOT SCALE DRAWING	
PHYSICAL PROPERTIES				UNLESS OTHERWISE SPECIFIED DIMENSIONS ARE IN: INCHES		SHEET: 2 OF 2		CAD GENERATED DRAWING DO NOT MANUALLY UPDATE	
						DRAWING DESCRIPTION: PH DEADEND CROSSARM, 8 FT LG, SD IRON BASE, TWO GUY HOLES		DESIGN DATE: 4/4/18	
MATERIAL:		APPROX. WEIGHT : 80 LBS		VOLUME : IN3		PRODUCT LINE: CROSSARMS		DRAWN BY: PNR	
								ENGINEER: prollins	
								APPROVED: 02/19/19	
								SCALE: 1:12	



7801 PARK PLACE RD.
YORK, SC. 29745
TEL. (803) 628-2100 FAX: (803) 628-2139