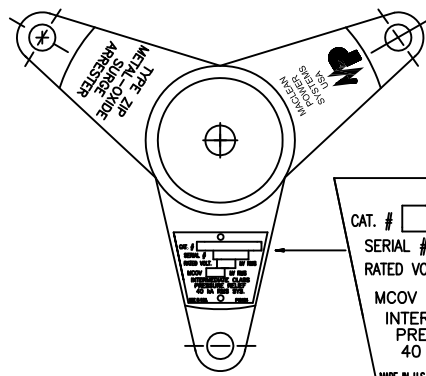
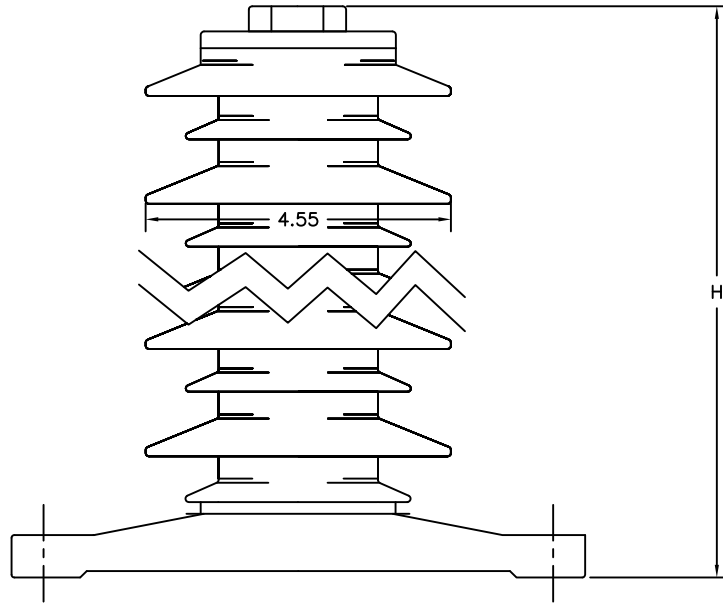


THREE PHASE INSTALLATION LAYOUT



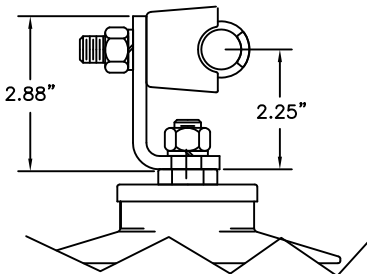
TRIPOD BASE AND NAMEPLATE



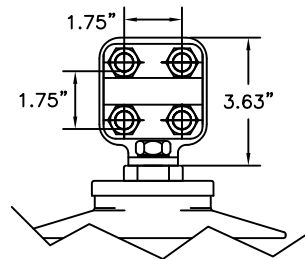
PHYSICAL CHARACTERISTICS

HEIGHT IN./(MM)	CREEP IN./(MM)	WEIGHT LBS./(kg)
24.0/(610)	61.7/(1567)	23.5/(10.7)

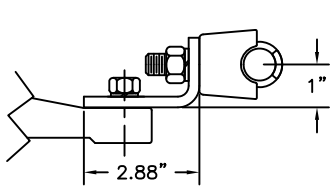
Min. Clearance - in./(mm)		Fault Withstand
A	R	
16.5/(419)	14.8/(376)	50 kA



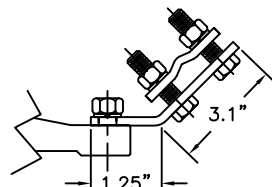
TOP TERMINAL OPTION 1
USED ON -1111, -1131



TOP TERMINAL OPTION 2
USED ON -1211, -1231



BOTTOM TERMINAL OPTION 1
USED ON -1111, -1211



BOTTOM TERMINAL OPTION 3
USED ON -1231, -1131

ELECTRICAL CHARACTERISTICS

RATING KV-RMS	MCOV KV-RMS	F.O.W. KV-CREST	MAX SWITCH. KV-CREST
48	39.0	137.0	102.0

MAX DISCHARGE VOLTAGE (KV-CREST)					
1.5 kA	3 kA	5 kA	10 kA	20 kA	40 kA
109.0	115.0	120.0	130.0	143.0	161.0



MACLEAN POWER SYSTEMS

www.macleangepower.com

POLYMER HOUSED GAPLESS METAL OXIDE
ZIP INTERMEDIATE CLASS ARRESTER
48 KV RATED
39 KV MCOV

THIS DRAWING IS THE PROPERTY OF MACLEAN POWER SYSTEMS AND EMBODIES A CONFIDENTIAL PROPRIETARY DESIGN IN WHICH MACLEAN RETAINS ALL PATENTS AND PROPRIETARY RIGHTS, INCLUDING EXCLUSIVE RIGHT OF USE, MANUFACTURE AND SALE. BY ACCEPTING THIS DRAWING, THE RECIPIENT AGREES NOT TO DISCLOSE, REPRODUCE OR USE ANY INFORMATION CONTAINED HEREIN WITHOUT THE PRIOR WRITTEN CONSENT OF MACLEAN POWER SYSTEMS

DATE	10/04/16
DRAWN	JWW
CHECKED	

ZIP0048-1XX1

DO NOT SCALE DRAWING SHEET OF