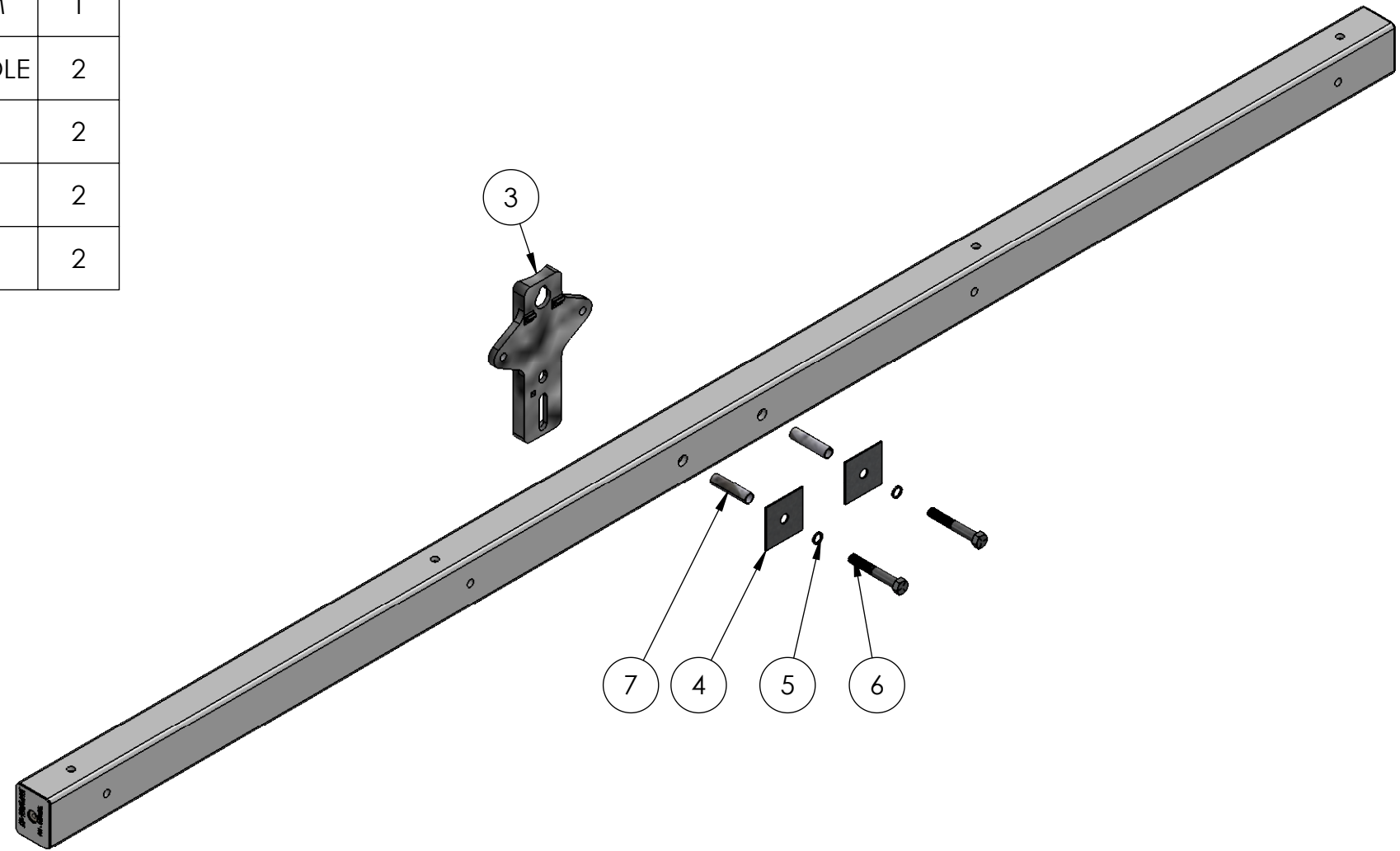



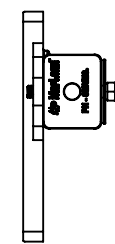
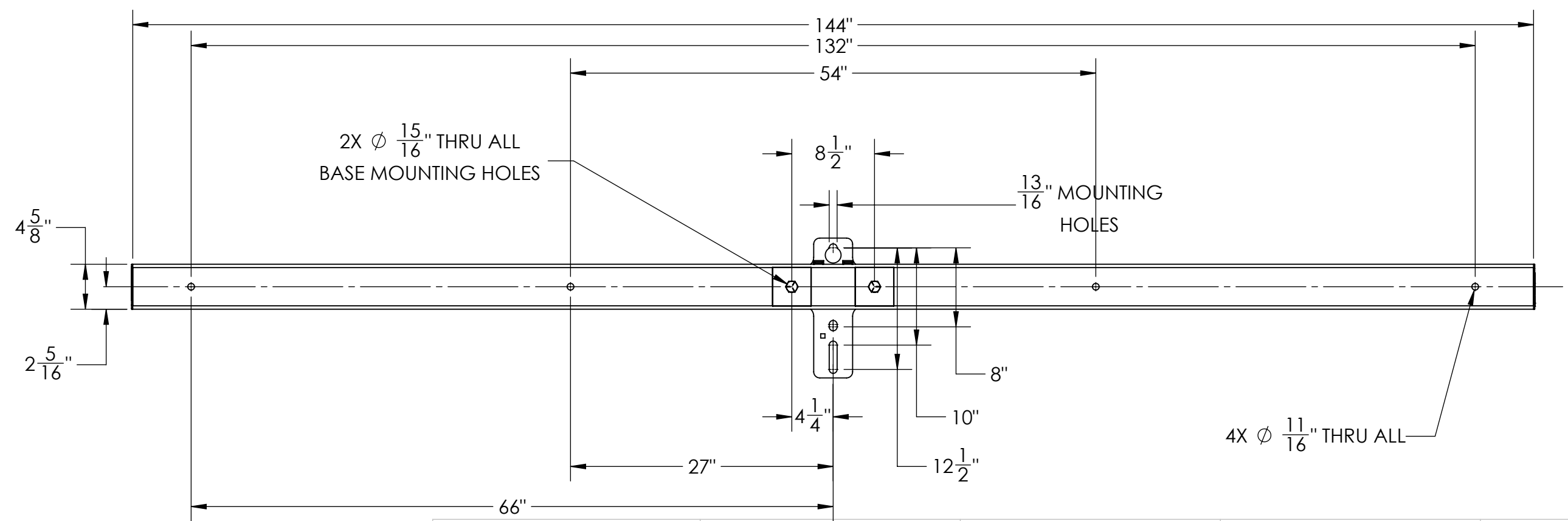
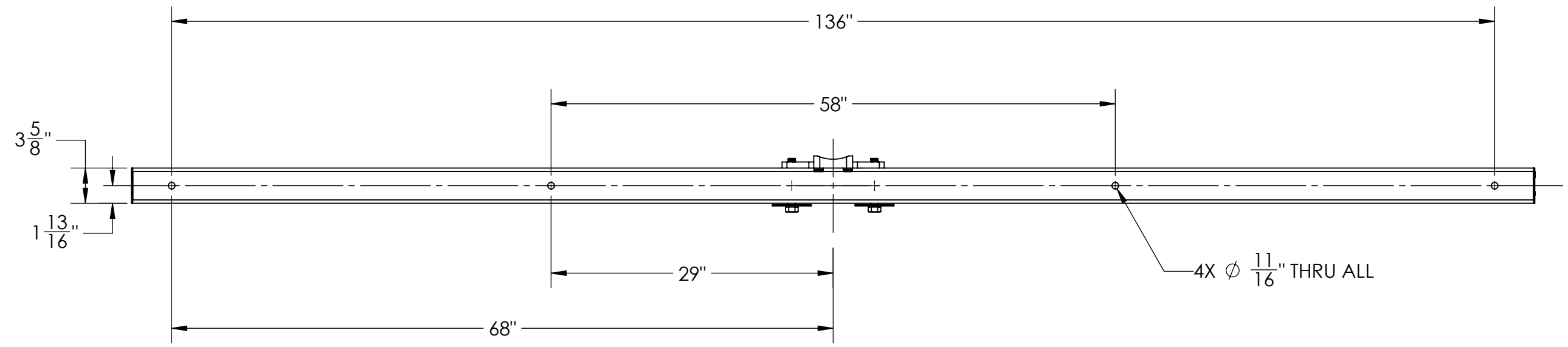
BOM Table(Restructured)			
ITEM NO.	PART NUMBER	DESCRIPTION	QTY.
1	P80012H	PH FOAMED TUBE,144 LG	1
2			1
3	P61342	HEAVY DUTY TANGENT BASE, ALUMINUM	1
4	P68244	4" x 4" SQUARE WASHER W/ ϕ 13/16" HOLE	2
5	F338983	3/4" LOCKWASHER	2
6	P55909	3/4" - 10 x 5" GRADE 5 HEX HEAD BOLT	2
7	P23050	3/4" ID x 3 3/4" LG, BOLT SLEEVE	2


PAPER SIZE		DRAWING NUMBER	
B		3015-033	
REVISIONS			
REV.	ECO BY	ECO DATE	ECO NUMBER



THIS DRAWING CONTAINS CONFIDENTIAL INFORMATION THAT IS THE PROPERTY OF MACLEAN POWER, L.L.C. ("MACLEAN"). USE OF MACLEAN'S CONFIDENTIAL INFORMATION WITHOUT MACLEAN'S EXPRESS WRITTEN CONSENT IS STRICTLY PROHIBITED AND MAY EXPOSE YOU TO LEGAL LIABILITY. IF YOU BELIEVE THAT YOU RECEIVED THIS MATERIAL IN ERROR, PLEASE DESTROY IT OR RETURN IT TO "MACLEAN POWER, L.L.C., 7801 PARK PLACE RD., YORK, SOUTH CAROLINA 29745, USA."

CATALOG NUMBER: PH12ST349	CUSTOMER NUMBER:	PART NUMBER:	DRAWING NUMBER: 3015-033	DO NOT SCALE DRAWING
PHYSICAL PROPERTIES			SHEET: 1 OF 2	CAD GENERATED DRAWING DO NOT MANUALLY UPDATE
UNLESS OTHERWISE SPECIFIED DIMENSIONS ARE IN: INCHES			DRAWING DESCRIPTION: PH TANGENT CROSSARM, 12 FT LG, ALUMINUM BASE	DESIGN DATE: 7/18/18
MATERIAL:		TOLERANCES ARE:		DRAWN BY: PNR
APPROX. WEIGHT :	81 LBS	XX +/- 1/4		ENGINEER: prollins
VOLUME :	IN3	X/XX +/- 1/32		APPROVED: 11/02/18
		ANGLES +/- 1°		SCALE: 1:12
 7801 PARK PLACE RD. YORK, SC. 29745 TEL. (803) 628-2100 FAX: (803) 628-2139			PRODUCT LINE: CROSSARMS	



CATALOG NUMBER: PH12ST349		CUSTOMER NUMBER:		PART NUMBER:		DRAWING NUMBER: 3015-033		DO NOT SCALE DRAWING	
PHYSICAL PROPERTIES UNLESS OTHERWISE SPECIFIED DIMENSIONS ARE IN: INCHES TOLERANCES ARE: XX +/- 1/4 X/XX +/- 1/32 ANGLES +/- 1°				 7801 PARK PLACE RD. YORK, SC. 29745 TEL. (803) 628-2100 FAX: (803) 628-2139		SHEET: 2 OF 2		CAD GENERATED DRAWING DO NOT MANUALLY UPDATE	
						DRAWING DESCRIPTION: PH TANGENT CROSSARM, 12 FT LG, ALUMINUM BASE		DESIGN DATE: 7/18/18	
MATERIAL:		APPROX. WEIGHT : 81 LBS		VOLUME : IN3		PRODUCT LINE: CROSSARMS		DRAWN BY: PNR	
								ENGINEER: prollins	
								APPROVED: 11/02/18	
								SCALE: 1:12	

THIS DRAWING CONTAINS CONFIDENTIAL INFORMATION THAT IS THE PROPERTY OF MACLEAN POWER, L.L.C. ("MACLEAN"). USE OF MACLEAN'S CONFIDENTIAL INFORMATION WITHOUT MACLEAN'S EXPRESS WRITTEN CONSENT IS STRICTLY PROHIBITED AND MAY EXPOSE YOU TO LEGAL LIABILITY. IF YOU BELIEVE THAT YOU RECEIVED THIS MATERIAL IN ERROR, PLEASE DESTROY IT OR RETURN IT TO "MACLEAN POWER, L.L.C., 7801 PARK PLACE RD., YORK, SOUTH CAROLINA 29745, USA."